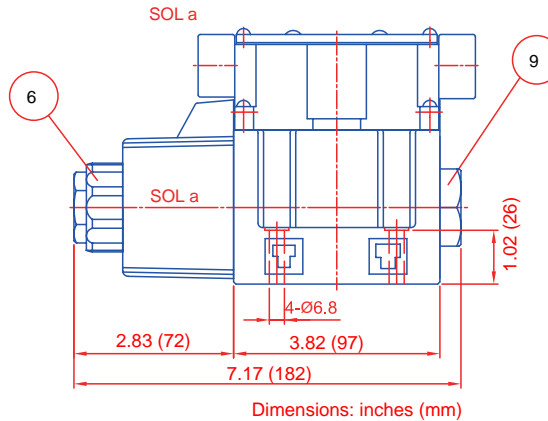
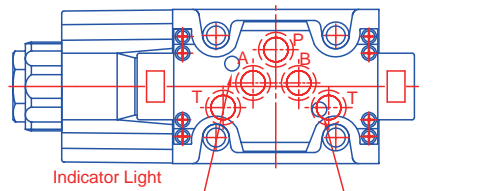
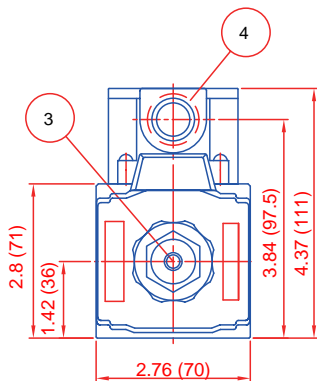


IFP DG05 SOLENOID OPERATED DIRECTIONAL CONTROL VALVE SIZE NG-10/CETOP-05

DIMENSIONS:
AC solenoid (WB Type)

■ DG05-*A AC* 72WB

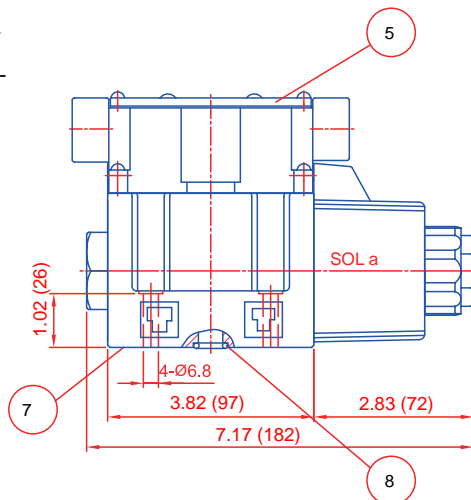
- * B
- * F



Dimensions: inches (mm)

■ DG05-*AL AC*72WB

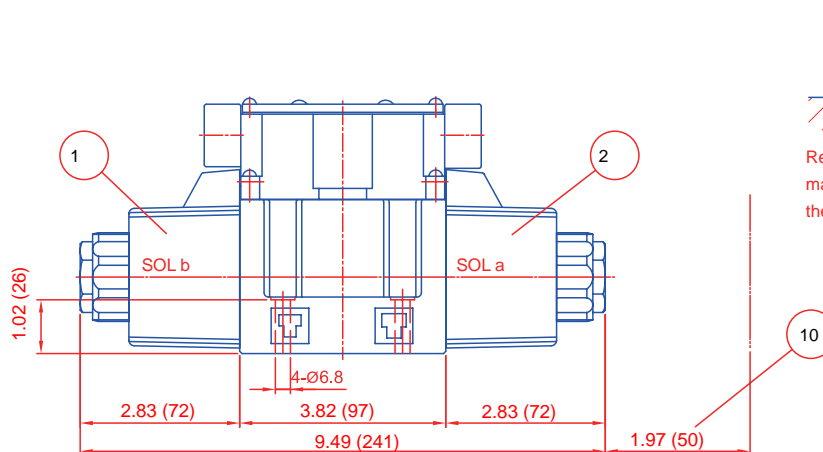
- * BL
- * FL



- 1: Solenoid a
- 2: Solenoid b
- 3: Push pin for manual operation
- 4: Lead wire take-out (G1/2")
- 5: Nameplate
- 6: Lock nut with torque: not exceeding 10.5 N.m
- 7: Connections to DIN 24340 from a10; valve fixing screws m6*35 DIN 912-10.9 tightening torque 12~15 Nm
- 8: O-ring aS568-014 (Hs90)
- 9: Plug for valves with 1 solenoid
- 10: Coil removable length

■ DG05-*C-AC*72WB

*N



Dimensions: inches (mm)

