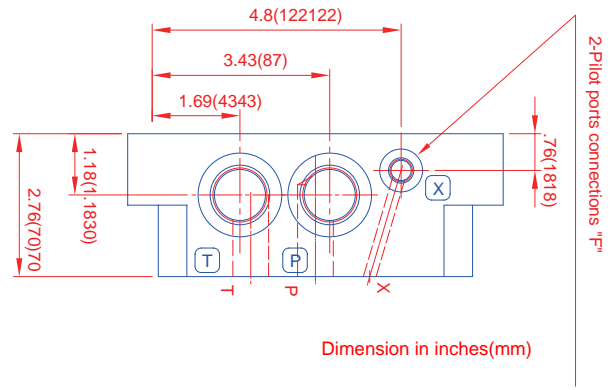
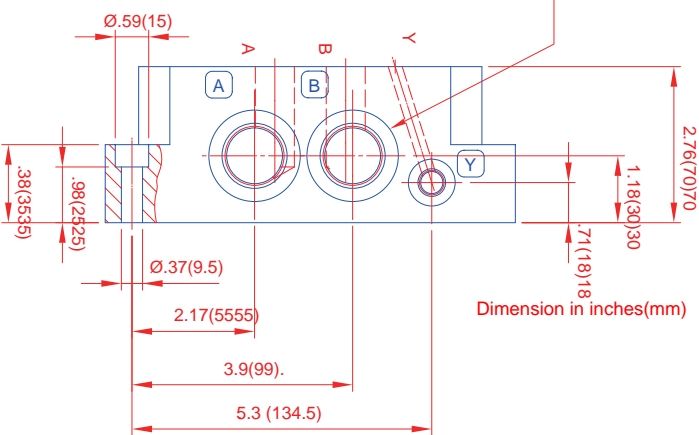
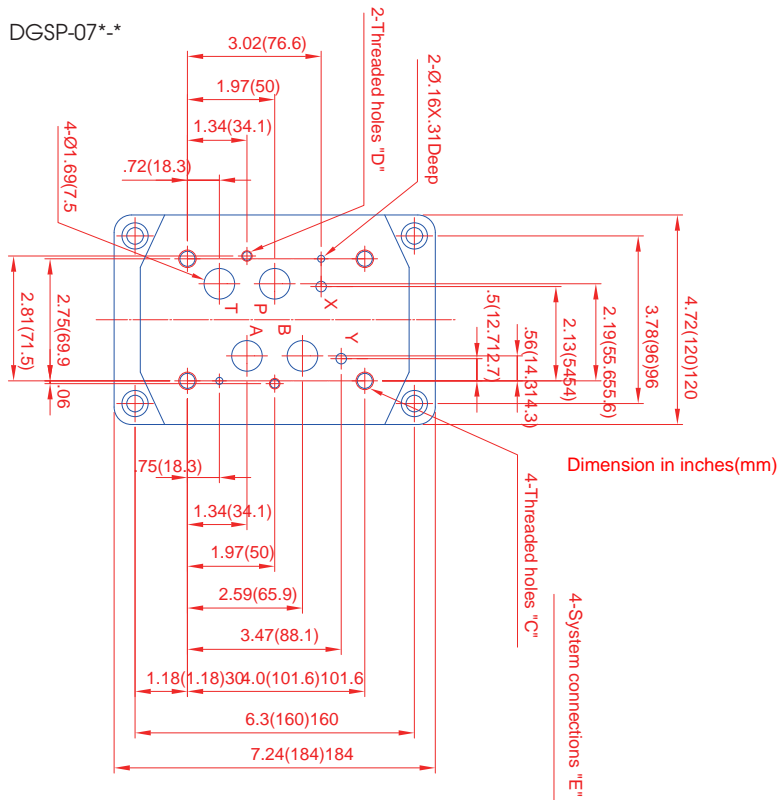


IFP DG07 SOLENOID CONTROLLED PILOT OPERATED DIRECTIONAL VALVE SIZE NG16/CETOP-07

SUBPLATE DIMENSIONS:

Side Connection

DGSP-07*-*



Model	C	D	E	F	Weight
DGSP-07-12E	M10*19 Deep(min)	M6*14 Deep(min)	3/4"Rc	1/4"Rc	8.3 Lbs/3.8Kgs
DGSP-07-16E			1"Rc	1/4"Rc	8.3 Lbs/3.8Kgs
DGSP-07G-12E			3/4"BSP	1/4"BSP	8.3 Lbs/3.8Kgs
DGSP-07G-16E			1"BSP	1/4"BSP	8.3 Lbs/3.8Kgs
DGSP-07N-12E	3/8"-16 UNC-2B Thd. x3/4" Deep	1/4"-20 UNC-2B Thd. x9/16" Deep	3/4"NPT	1/4"NPT	8.3 Lbs/3.8Kgs
DGSP-07N-16E			1"NPT	1/4"NPT	8.3 Lbs/3.8Kgs
DGSP-07S-16E			1"SAE	1/4"SAE	8.3 Lbs/3.8Kgs