

# NBC TWO STAGE HYDRAULIC PUMPS OPERATING SPECIFICATIONS



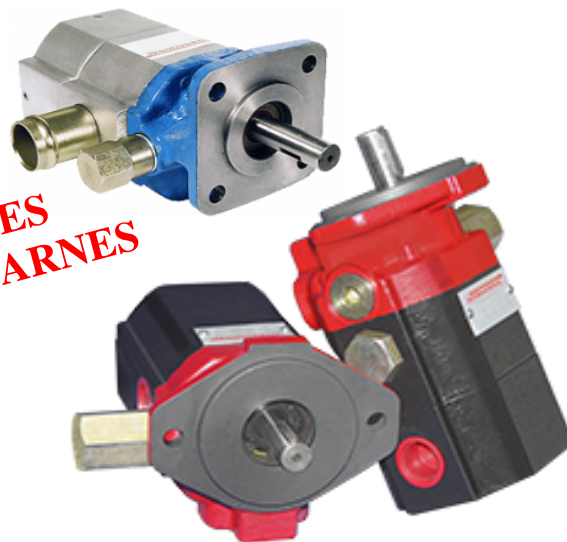
## FEATURES:

- COMPACT / LIGHT WEIGHT 5.5 lbs / 2.6 kgs
- HEAVY DUTY ALUMINUM CONSTRUCTION
- CAST IRON FRONT COVER
- INTEGRATED: UNLOADING & CHECK VALVE
- WIDE SPEED RANGE: 400 - 3600 RPM
- HIGH WORKING PRESSURE: 3000 PSI
- INCREASE CYCLE TIME / LESS HORSE POWER

## APPLICATIONS

- LOG SPLITTERS
- COMPACTORS
- HYDRAULIC PRESSES
- ANY APPLICATION REQUIRING  
HIGH FLOW @ LOW PRESSURE  
LOW FLOW @ HIGH PRESSURE

**REPLACES  
HALDEX / BARNES**



## NBC LOW FLOW MODELS ( NBC-8 to NBC-16 )

| MODEL CODE | NOMINAL FLOW (GPM)<br>3600 RPM | MAXIMUM SPEED | LOW PRESSURE GEAR DISPL. | HIGH PRESSURE GEAR DISPL. | MAXIMUM PRESSURE |
|------------|--------------------------------|---------------|--------------------------|---------------------------|------------------|
| NBC-8      | 8 GPM                          | 3600 RPM      | .385 in3/rev             | .13 in3/rev               | 3000 PSI         |
| NBC-8.5    | 8.5 GPM                        | 3600 RPM      | .385 in3/rev             | .183 in3/rev              | 3000 PSI         |
| NBC-9      | 9 GPM                          | 3600 RPM      | .385 in3/rev             | .22 in3/rev               | 3000 PSI         |
| NBC-10     | 10 GPM                         | 3600 RPM      | .537 in3/rev             | .13 in3/rev               | 3000 PSI         |
| NBC-10.5   | 10.5 GPM                       | 3600 RPM      | .537 in3/rev             | .183 in3/rev              | 3000 PSI         |
| NBC-11     | 11 GPM                         | 3600 RPM      | .537 in3/rev             | .22 in3/rev               | 3000 PSI         |
| NBC-11.5   | 11.5 GPM                       | 3600 RPM      | .537 in3/rev             | .256 in3/rev              | 3000 PSI         |
| NBC-12     | 12 GPM                         | 3600 RPM      | .665 in3/rev             | .13 in3/rev               | 3000 PSI         |
| NBC-12.5   | 12.5 GPM                       | 3600 RPM      | .665 in3/rev             | .183 in3/rev              | 3000 PSI         |
| NBC-13     | 13 GPM                         | 3600 RPM      | .665 in3/rev             | .22 in3/rev               | 3000 PSI         |
| NBC-13.5   | 13.5 GPM                       | 3600 RPM      | .665 in3/rev             | .256 in3/rev              | 3000 PSI         |
| NBC-16     | 16 GPM                         | 3600 RPM      | .793 in3/rev             | .265 in3/rev              | 3000 PSI         |

**\*\* NOW AVAILABLE 22 / 28 SIZES \*\***

Indicates standard stocked displacements

## NBC HIGH FLOW MODELS ( NBC-22 & NBC-28 )

| MODEL CODE | NOMINAL FLOW (GPM)<br>3600 RPM | MAXIMUM SPEED | LOW PRESSURE GEAR DISPL. | HIGH PRESSURE GEAR DISPL. | MAXIMUM PRESSURE |
|------------|--------------------------------|---------------|--------------------------|---------------------------|------------------|
| NBC-22     | 22 GPM                         | 3600 RPM      | .93 in3/rev              | .465 in3/rev              | 3000 PSI         |
| NBC-28     | 28 GPM                         | 3600 RPM      | 1.395 in3/rev            | .465 in3/rev              | 3000 PSI         |

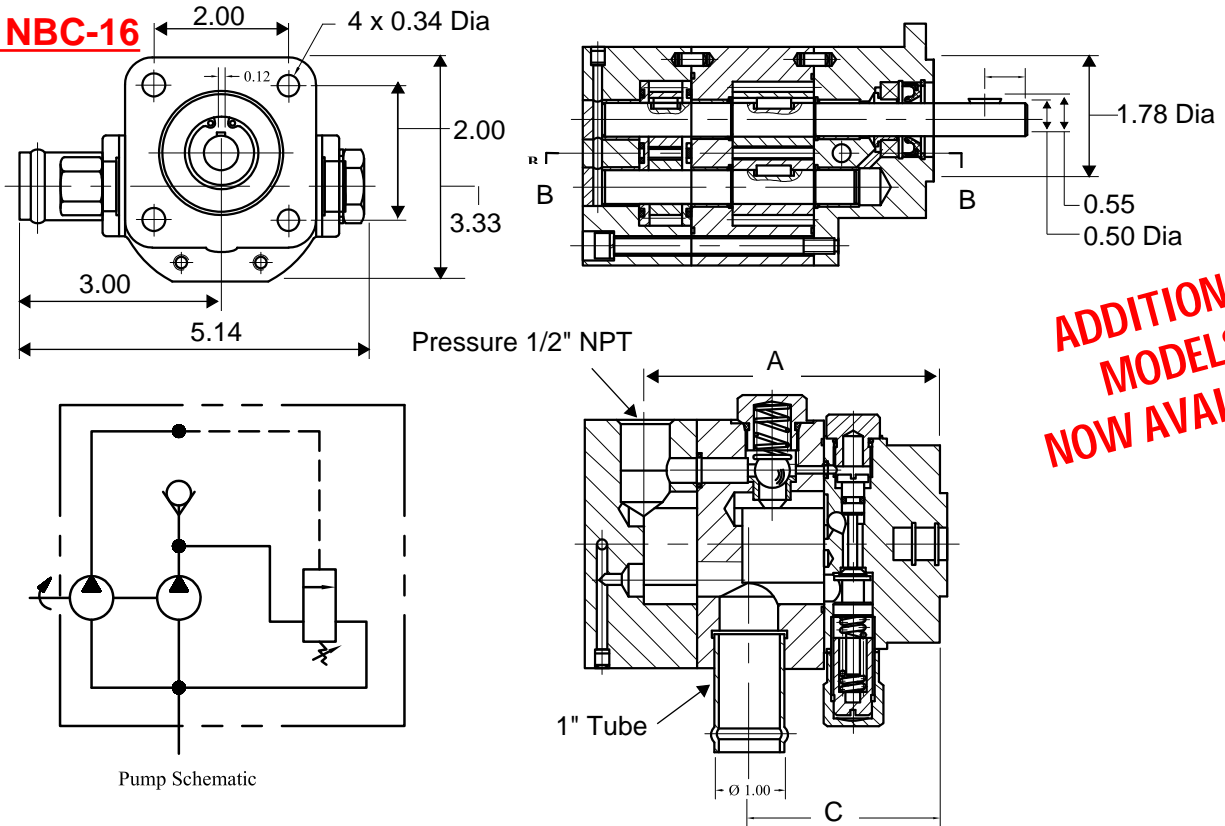
\*\* Unloading relief adjustment range 400 - 900 PSI ( Factory set 650 psi )

\* Flows shown are at 3600 RPM

# NBC TWO STAGE HYDRAULIC PUMPS DIMENSIONAL DATA



## NBC-8 to NBC-16

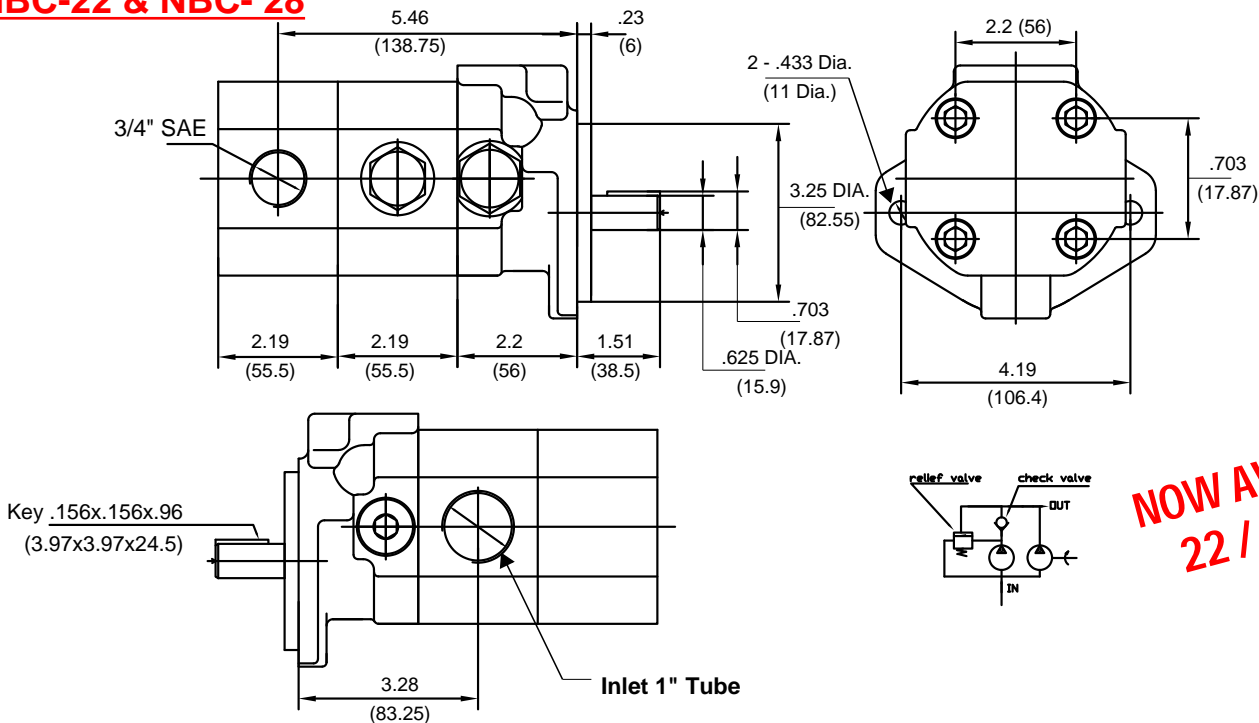


**ADDITIONAL  
MODELS  
NOW AVAILABLE**

| MODEL    | DIMENSIONS |      |      | MODEL     | DIMENSIONS |      |      | MODEL     | DIMENSIONS |      |      |
|----------|------------|------|------|-----------|------------|------|------|-----------|------------|------|------|
|          | A          | B    | C    |           | A          | B    | C    |           | A          | B    | C    |
| NBC- 8   | 6.07       | 3.74 | 2.41 | NBC- 10.5 | 6.54       | 4.08 | 2.74 | NBC- 12.5 | 6.90       | 4.53 | 3.04 |
| NBC- 8.5 | 6.21       | 3.90 | 2.41 | NBC- 11   | 6.61       | 4.24 | 2.74 | NBC- 13   | 7.00       | 4.53 | 3.04 |
| NBC- 9   | 6.28       | 3.90 | 2.74 | NBC-11.5  | 6.70       | 4.24 | 2.74 | NBC- 13.5 | 7.09       | 4.53 | 3.04 |
| NBC- 10  | 6.41       | 4.08 | 2.74 | NBC- 12   | 6.70       | 4.37 | 3.04 | NBC- 16   | 6.70       | 4.37 | 3.04 |

**REPLACES  
HALDEX  
BARNES**

## NBC-22 & NBC-28



**NOW AVAILABLE  
22 / 28 GPM**

# NBC TWO STAGE HYDRAULIC PUMPS

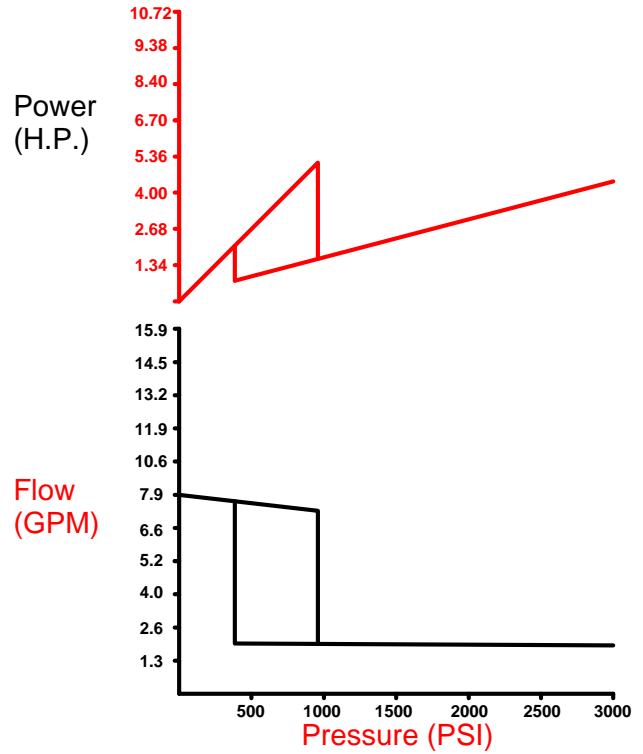


## Performance Curves

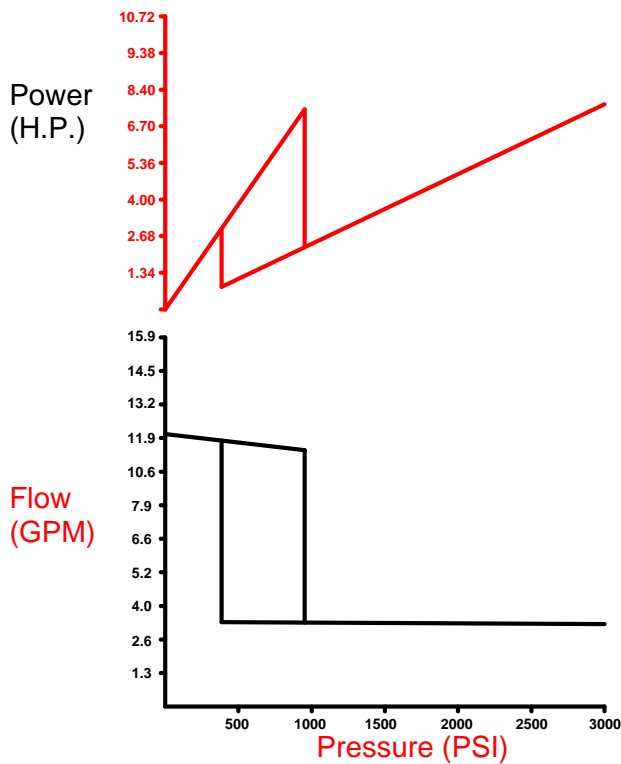
\*\* Speed: 3600 RPM

\*\* Oil: N46

### NBC-8



### NBC-11



### NBC-16

