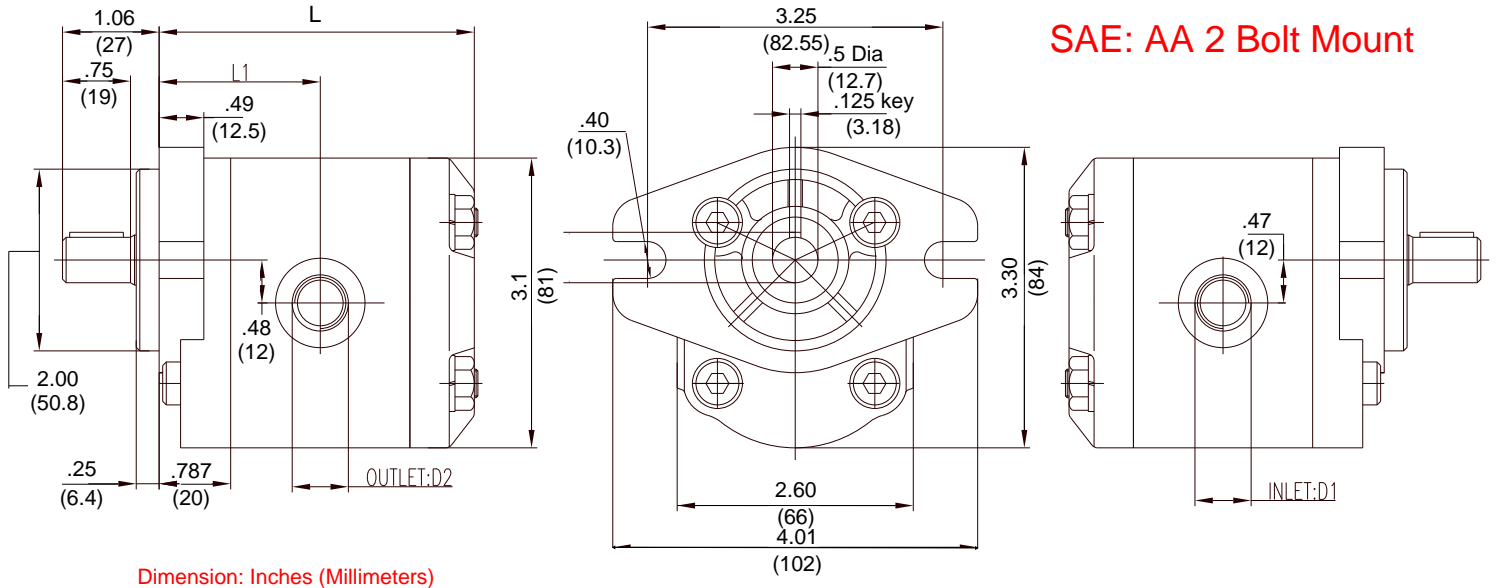


# IFP AAP SERIES ALUMINUM GEAR PUMPS



SAE: AA 2 Bolt Mount

MODEL CODE	Displacement in <sup>3</sup> /rev (cm <sup>3</sup> /rev)	Pressure PSI (Mpa)		Speed (RPM)			L inch(mm)	L1 inch (mm)	Inlet (D1)	Outlet (D2)
		Rated	Max.	Rated	Max.	Min.				
AAP-1-SR1F	(1) .06 (1.1)	2900 (20)	3625 (25)	2000	4500	500	3.22 (82)	1.65 (42)	SAE8	SAE6
AAP-2-SR1F	(2) .12 (2.0)	2900 (20)	3625 (25)	2000	4500	500	3.30 (84)	1.69 (43)	SAE8	SAE6
AAP-3-SR1F	(3) .21 (3.4)	2900 (20)	3625 (25)	2000	4500	500	3.38 (86)	1.73 (44)	SAE8	SAE6
AAP-4-SR1F	(4) .25 (4.1)	2900 (20)	3625 (25)	2000	4500	500	3.46 (88)	1.75 (45)	SAE8	SAE6
AAP-5-SR1F	(5) .31 (5.1)	2900 (20)	3625 (25)	2000	4500	500	3.54 (90)	1.81 (46)	SAE8	SAE6
AAP-6-SR1F	(6) .37 (6.1)	2900 (20)	3625 (25)	2000	4500	500	3.66 (93)	1.89 (48)	SAE8	SAE6
AAP-7-SR1F	(7) .43 (7.0)	2900 (20)	3625 (25)	2000	4500	500	3.77 (96)	1.92 (49)	SAE8	SAE6
AAP-8-SR1F	(8) .48 (7.8)	2900 (20)	3625 (25)	2000	4500	500	4.01(102)	2.00 (51)	SAE8	SAE6

### Model code

IFP AAP - 3 - S - R - 1 - F

AAP: Pump  
AAM: Motor

Displacement  
(See chart selection)

Mounting: SAE-AA 2 Bolt

Porting: F : SAE-8 (3/4-16UNF) x SAE-6 (9/16-18 UNF)

Shaft: Code 1 - 1/2" Dia. 1/8" Key

Rotation: R : C.W.  
L : C.C.W.