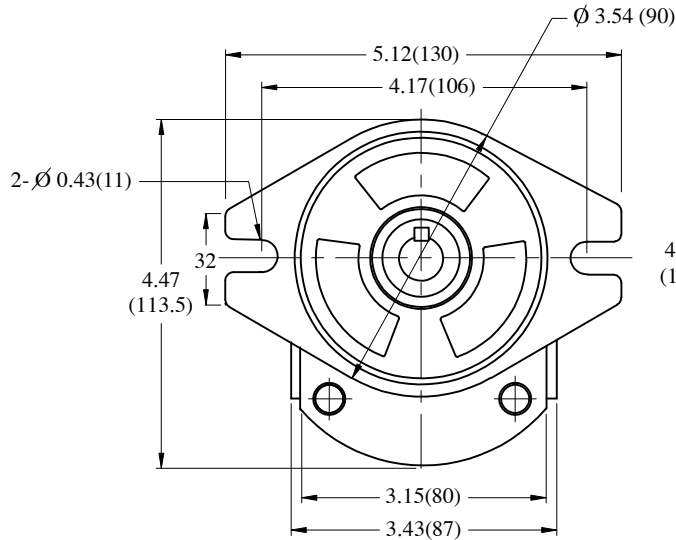


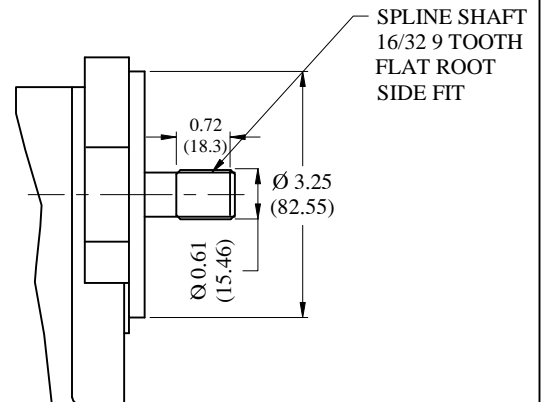
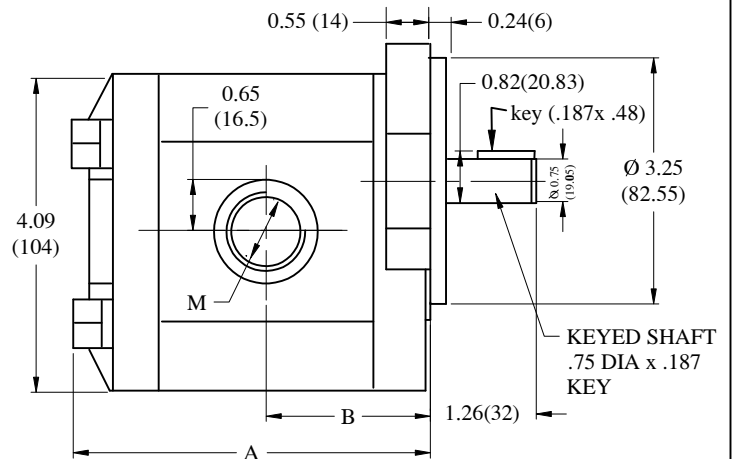
IFP ALUMINUM HIGH PERFORMANCE GEAR PUMPS



FRONT VIEW



SIDE VIEW



DIMENSIONAL INFORMATION

MODEL	A in(mm)	B in(mm)	M Thread IN/OUT	
			INLET	OUTLET
AP06	4.06 (103)	1.77 (45)	7/8-14 SAE-10	3/4-16 SAE-8
AP08	4.19 (106.5)	1.85 (47)		
AP10	4.29 (109)	1.89 (48)		
AP12	4.45 (113)	1.97 (50)	1 5/16-12 SAE-16	1 1/16-12 SAE-12
AP14	4.53 (115)	2.01 (51)		
AP16	4.69 (119)	2.07 (52.5)		
AP20	4.92 (125)	2.20 (56)		
AP25	5.24 (133)	2.36 (60)		