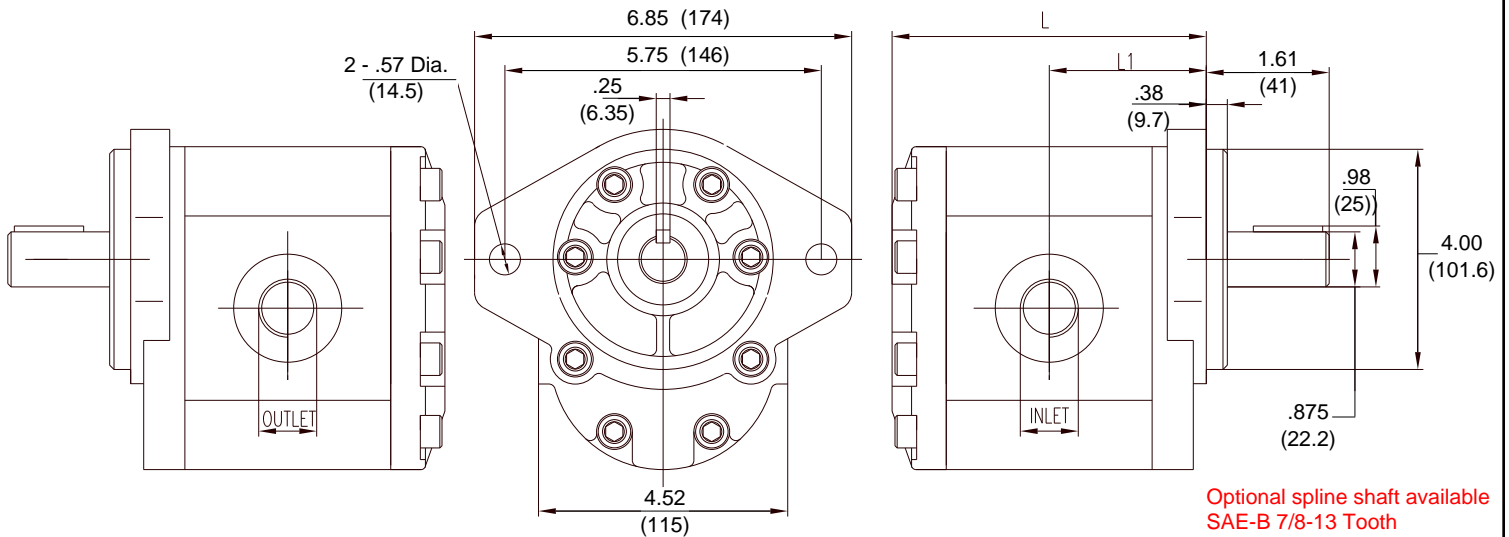


IFP ABP SERIES ALUMINUM GEAR PUMPS



SAE-B 2 Bolt Mount



Optional spline shaft available
SAE-B 7/8-13 Tooth

Dimension: Inches (millimeters)

MODEL CODE	Displacement in ³ /rev (cm ³ /rev)	Pressure PSI (Mpa)		Speed (RPM)			L inch(mm)	L1 inch (mm)	Inlet	Outlet
		Rated	Max.	Rated	Max.	Min				
ABP-22-SR1F	(22) 1.34 (22)	2900 (20)	3625 (25)	2000	3000	400	5.15 (131)	2.59 (66)		
ABP-26-SR1F	(26) 1.58 (26)	2900 (20)	3625 (25)	2000	3000	400	5.27 (134)	2.63 (67)		
ABP-34-SR1F	(34) 2.07 (34)	2900 (20)	3625 (25)	2000	3000	400	5.47 (139)	2.71 (69)		
ABP-39-SR1F	(39) 2.38 (39)	2900 (20)	3625 (25)	2000	3000	400	5.63 (143)	2.79 (71)	SAE16	SAE12
ABP-43-SR1F	(43) 2.62 (43)	2900 (20)	3625 (25)	2000	2800	400	5.78 (147)	2.87 (73)	15/16-12	11/16-12
ABP-51-SR1F	(51) 3.11 (51)	2900 (20)	3625 (25)	2000	2800	400	5.98 (152)	2.99 (76)		
ABP-61-SR1F	(60) 3.66 (60)	2600 (18)	3300 (23)	1800	2800	400	6.22 (158)	3.11 (79)		
ABP-70-SR1F	(70) 4.27 (70)	2500 (17)	2900 (20)	1800	2500	400	6.54 (166)	3.22 (82)		
ABP-78-SR1F	(78) 4.76 (78)	2300 (16)	2900 (20)	1800	2300	400	6.73 (171)	3.35 (85)		
ABP-89-SR1F	(89) 5.43 (89)	2000 (14)	2600 (18)	1800	2000	400	6.93 (176)	3.46 (88)		

Model code

IFP ABP -22 - S - R - 1 - F

AAP: Pump
AAM: Motor

Displacement
(See chart selection)

Mounting: SAE-B 2 Bolt

Porting: F : SAE-16 (15/16-12UNF) x SAE-12 (1116-12 UNF)

Shaft: Code 1 - Keyed 7/8" Dia. 1/4" Key
Code 2 - Slined 7/8-13 Tooth

Rotation: R : C.W.
L : C.C.W.