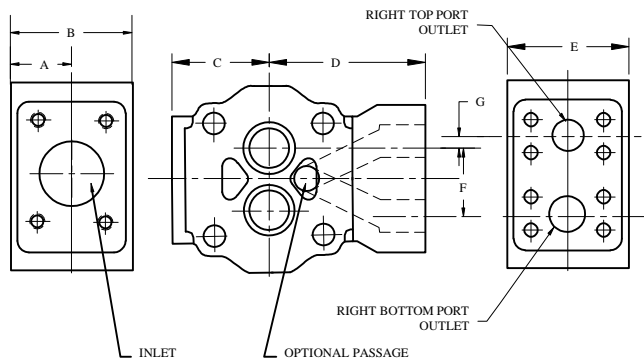


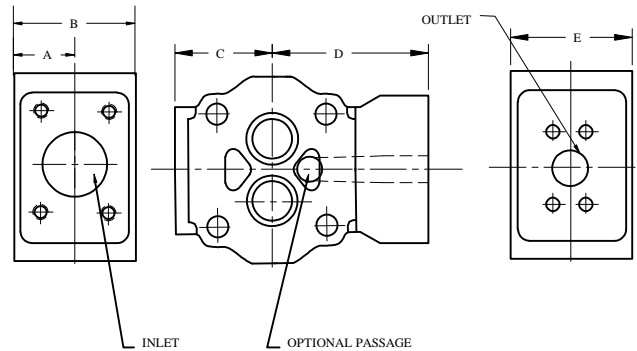
IFP IP3150/IP3300/IP3500/IP3650 BEARING CARRIERS



DOUBLE OUTLET BEARING CARRIER




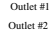

SINGLE OUTLET BEARING CARRIER



BEARING CARRIER							DOUBLE OUTLET BEARING CARRIER	SINGLE OUTLET BEARING CARRIER	
PART NUMBER	"A"	"B"	"C"	"D"	"E"	"F"	"G"		
IP3150	1.31	2.62	2.38	2.88	2.62	1.84	.34	326-7800-100N	326-7600-100N
IP3300	1.75	3.50	3.09	3.69	3.50	2.00	.25	324-7800-100N	324-7600-100N
IP3500	1.75	3.50	3.69	3.69	3.50	2.50	.50	323-7800-100N	323-7600-100N
IP3650	2.00	4.00	3.69	4.69	4.00	2.62	.38	322-7800-100N	322-7600-100N

(IP3300/IP3500/IP3650 DOUBLE OUTLET) BEARING CARRIER PART CODE

Outlets: for clockwise porting the top port number comes first;
for counter-clockwise porting the bottom port number comes first.

SECTION VIEW A-A C.W. ROT.	PORT SIZE			SPLIT FLANGE BEARING CARRIER CODE C.W. ROT.	BEARING CARRIER CODE C.C.W. ROT.	PORT SIZE			O.D.T THREAD BEARING CARRIER CODE C.W. ROT.	
	IN	OUT	OUT			IN	OUT	OUT		
Inlet  Outlet #1  Outlet #2 	2 1/2	1 1/2	1 1/2	AC	CA	2	1 1/2	1 1/2	GJ	JG
	2 1/2	1 1/2	1 1/4	AD	DA	2	1 1/2	1 1/4	GK	KG
	2 1/2	1 1/2	1	AE	EA	2	1 1/2	1	GL	LG
	2 1/2	1 1/4	1 1/4	AF	FA	2	1 1/4	1 1/4	GM	MG
	2 1/2	1 1/4	1	AG	GA	2	1 1/4	1	GN	NG
	2 1/2	1	1	AH	HA	2	1	1	GP	PG
	2	1 1/2	1 1/2	AJ	JA	1 1/2	1 1/2	1 1/2	GQ	QG
	2	1 1/2	1 1/4	AK	KA	1 1/2	1 1/2	1 1/4	GR	RG
	2	1 1/2	1	AL	LA	1 1/2	1 1/2	1	GS	SG
	2	1 1/4	1 1/4	AM	MA	1 1/2	1 1/4	1 1/4	GT	TG
	2	1 1/4	1	AN	NA	1 1/2	1 1/4	1	GU	UG
	2	1	1	AP	PA	1 1/2	1	1	GV	VG
	1 1/2	1 1/2	1 1/2	AQ	QA	1 1/4	1 1/4	1 1/4	GW	WG
	1 1/2	1 1/2	1 1/4	AR	RA	1 1/4	1 1/4	1	GX	XG
	1 1/2	1 1/2	1	AS	SA	1 1/4	1	1	GY	YG
	1 1/2	1 1/4	1 1/4	AT	TA	1	1	1	GZ	ZG
	1 1/2	1 1/4	1	AU	UA					
	1 1/2	1	1	AV	VA					
	1 1/4	1 1/4	1 1/4	AW	WA					
	1 1/4	1 1/4	1	AX	XA					
1 1/4	1	1	AY	YA						
1	1	1	AZ	ZA						