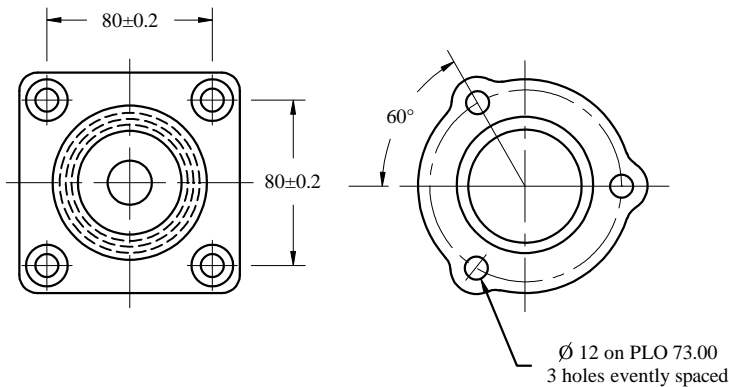


IFP REPLACEMENT PARTS FOR COMMERCIAL INTERTECH



International fpa Genuine replacement parts manufactured or sold by IFP are recommended, internal parts interchange with Commercial Intertech.

EUROPEAN ...PTO ...MOUNTINGS EUROPEAN ...PTO ...MOUNTINGS

International fpa introduces the P 50/51 Range of interchangeable Commercial Intertech Pumps with 3 and 4 Bolts P.T.O. Flange Mounting.

This type of mounting is very common on most European vehicles (DIN 5462) for direct close coupling to the Gear box.