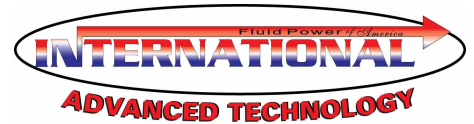
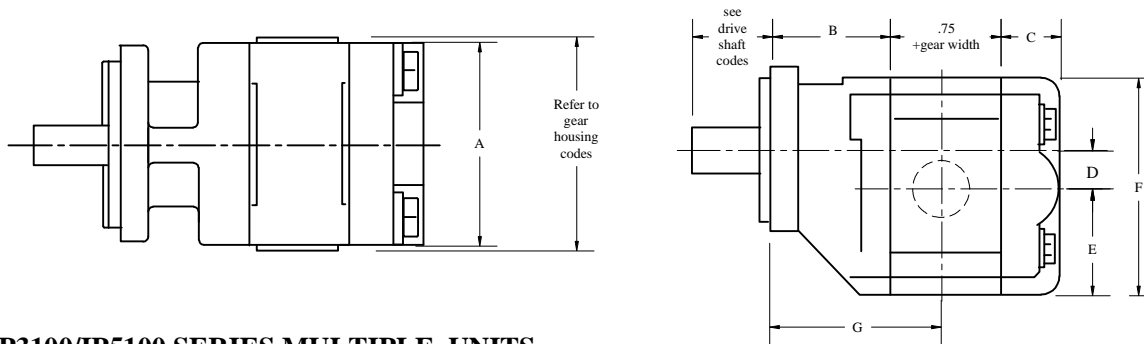


IFP IP3100/IP5100 GEAR UNITS INSTALLATION DIMENSION & WEIGHT

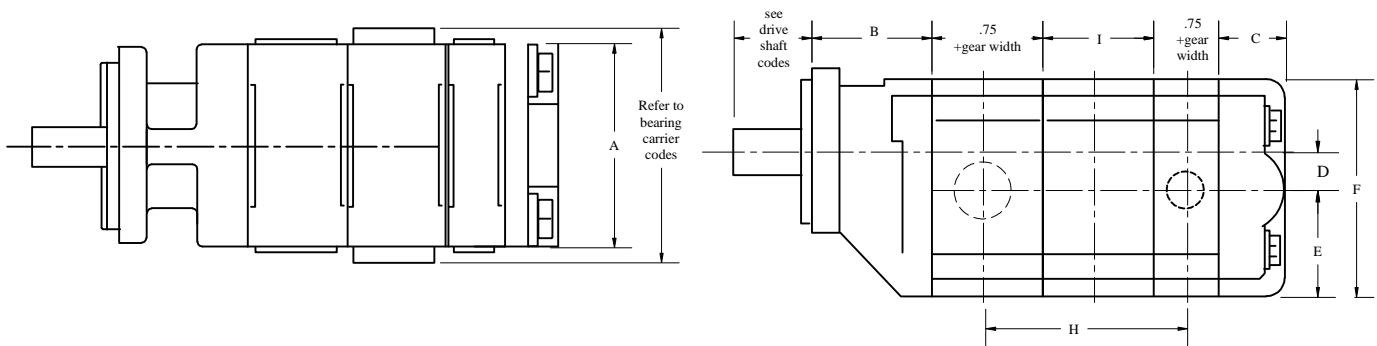


DIMENSION (inches)

IP3100/IP5100 SERIES SINGLE UNITS



IP3100/IP5100 SERIES MULTIPLE UNITS



MODEL	A	B	C	D	E	F	G	H	I
IP3100 series	4.81	2.94	1.75	.88	2.78	5.50	$3.31 + \frac{1}{2}$ gear width	$3.25 + \frac{1}{2}$ total gear width	2.50
IP5100 series	5.06	3.38	1.75	1.00	3.12	6.25	$3.75 + \frac{1}{2}$ gear width	$3.65 + \frac{1}{2}$ total gear width	2.88

APPROXIMATE WEIGHT

SINGLE UNITS

MODEL	gear width	1	1 1/4	1 1/2	1 3/4	2	2 1/4	2 1/2
IP3100 series	pounds	33	34	35	36	37	-	-
	KG	15	15.5	16	16.5	17	-	-
IP5100 series	pounds	37	38.5	40	41.5	43	48.5	50
	KG	17	17.5	18	18.75	19.5	22	22.5

MULTIPLE UNITS

MODEL	add per gear section	1	1 1/4	1 1/2	1 3/4	2	2 1/4	2 1/2
IP3100 series	pounds	27	28	29	31	32	-	-
	KG	12	12.5	13	14	14.2	-	-
IP5100 series	pounds	31	32.5	34	35.5	37	42.5	44
	KG	14	15	15.5	16	17	19.25	20

NOTE: MULTIPLE UNITS WEIGHT ADD SINGLE UNIT WEIGHT WITH EACH ADDITIONAL SECTION FROM ABOVE CHART