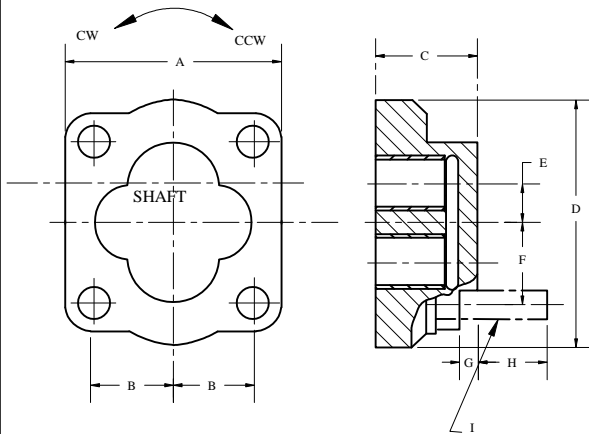
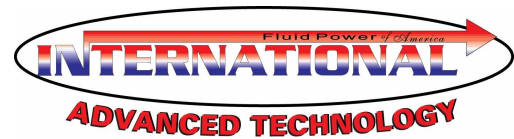


IFP IP3150/IP3300/IP3500/IP3650 PORT END COVERS



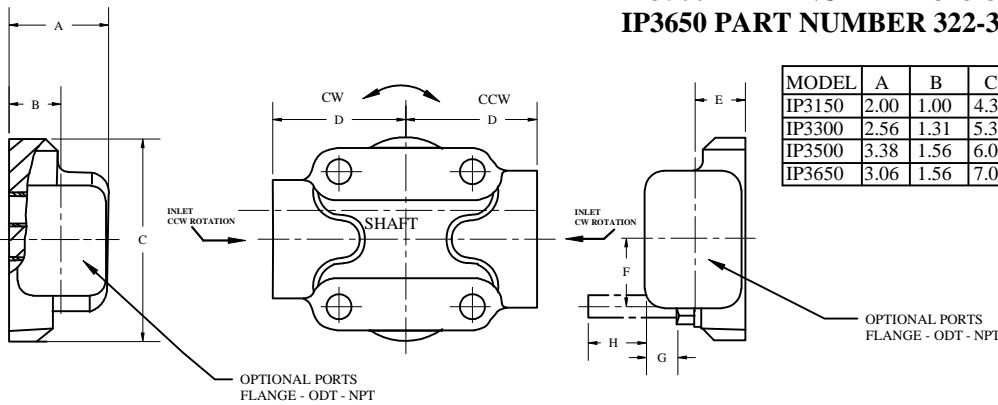
PORT END COVER

IP3150 PART NUMBER 326-3100-100
IP3300 PART NUMBER 324-3100-100
IP3500 PART NUMBER 323-3100-100
IP3650 PART NUMBER 322-3100-100

MODEL	A	B	C	D	E	F	G	H	I
IP3150	4.00	1.19	1.75	4.31	.75		.38	1.00-1.12	1/2 -13UNC THD
IP3300	4.81	1.78	2.25	5.38	.88	1.78	.39	1.38-1.62	5/8 -11NC-3 THD.
IP3500	5.75	1.78	2.25	6.00	1.00	1.78	.39	1.38-1.62	5/8-11NC-3 THD.
IP3650	6.25	2.12	2.62	7.00	1.12	2.12	.39	1.25-1.50	5/8 -11NC-3 THD.

PORT END COVER

IP3150 PART NUMBER 326-3110-100
IP3300 PART NUMBER 324-3110-100
IP3500 PART NUMBER 323-3110-100
IP3650 PART NUMBER 322-3110-100



MODEL	A	B	C	D	E	F	G	H
IP3150	2.00	1.00	4.31	2.12	1.00			
IP3300	2.56	1.31	5.38	3.44	1.31	1.78	.70	1.25-1.56
IP3500	3.38	1.56	6.00	3.56	1.56	1.78	.11	1.25-1.56
IP3650	3.06	1.56	7.00	3.69	1.56	2.12	.83	1.31-1.44

PORT END COVER PORTING CODES

(SIDE PORTED UNITS)

PORT SIZE		SPLIT FLANGE IP3150		OD TUBE PORTING IP3150	
IN	OUT	C W PORT	CCW PORT	C W PORT	CCW PORT
1 1/4	1	-	-	FB	BF
1 1/4	7/8	-	-	FC	CF
1 1/4	3/4	-	-	FG	GF
1 1/4	5/8	-	-	FJ	JF
1	1	-	-	FL	LF
1	7/8	-	-	FV	VF
1	3/4	EJ	JE	FW	WF
1	5/8	-	-	FX	XF
1	1/2	EK	KE	FY	YF
7/8	7/8	-	-	FZ	ZF
7/8	3/4	-	-	BC	CB
7/8	5/8	-	-	BG	GB
7/8	1/2	-	-	BJ	JB
3/4	3/4	EL	LE	BL	LB
3/4	5/8	-	-	BN	NB
3/4	1/2	EM	ME	BV	VB
1 1/4	-	-	-	BW	WB
1	-	OE	EO	BX	XB
7/8	-	-	-	BY	YB
3/4	-	OF	FO	BZ	ZB
-	1	-	-	PD	DP
-	7/8	-	-	PE	EP
-	3/4	OJ	JO	PM	MP
-	5/8	-	-	PN	NP
-	1/2	OL	LO		

PORT SIZE		SPLIT FLANGE				OD TUBE PORTING			
IN	OUT	IP3300		IF3500/3650		IP3300		IF3500/3650	
		C W PORT	CCW PORT	C W PORT	CCW PORT	C W PORT	CC W PORT	C W PORT	CC W PORT
2	1 1/2	-	-	EC	CE	-	-	-	-
2	1 1/4	-	-	EF	FE	-	-	-	-
2	1	-	-	EG	GE	-	-	-	-
1 1/2	1 1/2	-	-	EH	HE	-	-	-	-
1 1/2	1 1/4	EJ	JE	EJ	JE	-	-	FB	BF
1 1/2	1	EK	KE	EK	KE	-	-	FC	CF
1 1/4	1 1/4	EL	LE	EL	LE	-	-	-	-
1 1/4	1	EM	ME	EM	ME	-	-	FG	GF
1	1	EN	NE	EN	NE	FJ	JF	FJ	JF
2	-	-	-	OE	EO	FL	LF	FL	LF
1 1/2	-	OF	FO	OF	FO	-	-	BC	CB
1 1/4	-	OG	GO	OG	GO	BG	GB	BG	GB
1	-	OJ	JO	OJ	JO	BJ	JB	BJ	JB
-	1 1/2	OL	LO	OL	LO	-	-	BL	LB
-	1 1/4	OM	MO	OM	MO	-	-	-	-
-	1	ON	NO	ON	NO	BN	NB	BN	NB