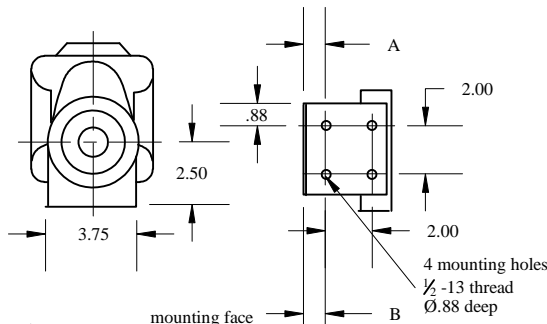


IFP IP3100/IP5100/IP7600 SHAFT END COVER



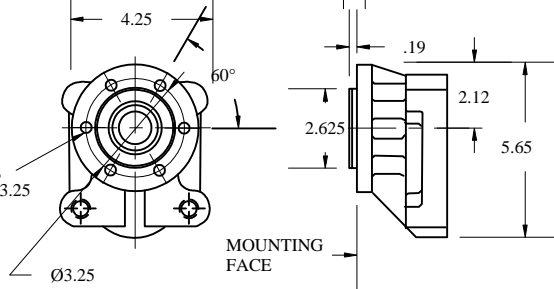
CODE *00 IP3100 /IP5100 PAD MOUNTING

| | A | B |
|--------|-----|-----|
| IP3100 | .62 | .25 |
| IP5100 | .88 | .62 |



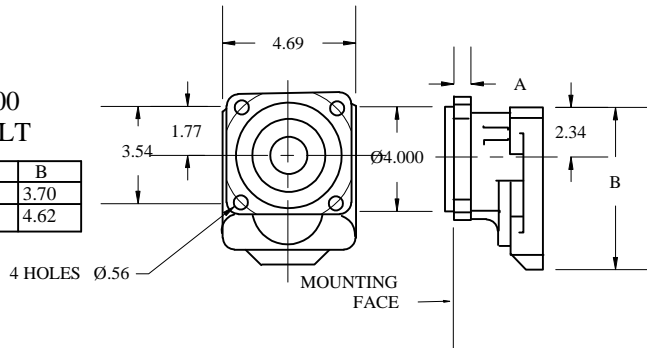
CODE *05 IP3100 Series 6-BOLT ROUND FLANGE

6 HOLES
Ø.44 on Ø3.25

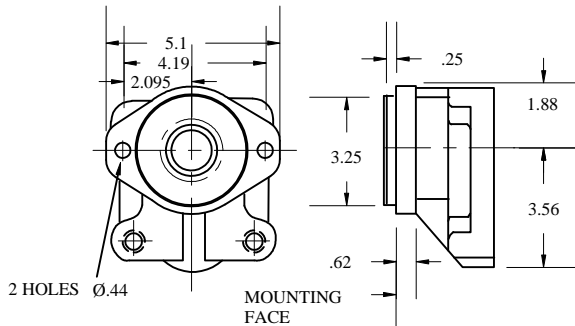


CODE *42 IP3100/IP5100 SAE B 4-BOLT

| MODEL | A | B |
|--------|-----|------|
| IP3100 | .38 | 3.70 |
| IP5100 | .25 | 4.62 |

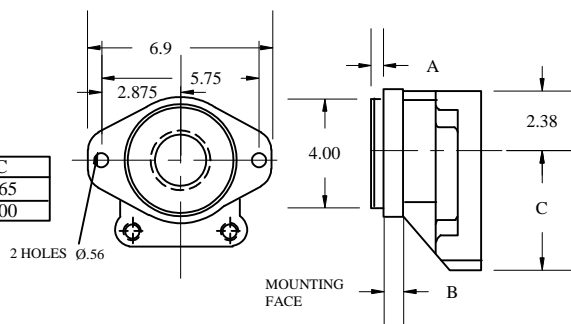


CODE *94 IP3100 SAE A 2-BOLT



CODE *97 IP3100 / IP5100 SAE B 2-BOLT

| MODEL | A | B | C |
|--------|-----|-----|------|
| IP3100 | .38 | .75 | 3.65 |
| IP5100 | .25 | .75 | 4.00 |



| Front Flange | Shaft Rotation | OUTBOARD SHAFT BEARING | OPTIONAL 1/4 DRAIN |
|--------------|----------------|------------------------|--------------------|
| 100 | CW | WITHOUT | NONE(PUMP) |
| 200 | CCW | WITHOUT | NONE(PUMP) |
| 300 | DOUBLE | WITHOUT | NONE(PUMP) |
| 400 | CW | WITH | NONE(PUMP) |
| 500 | CCW | WITH | NONE(PUMP) |
| 600 | DOUBLE | WITH | NONE(PUMP) |
| 800 | DOUBLE | WITH | 1/4 NPT(MOTOR) |
| 900 | DOUBLE | WITHOUT | 1/4 NPT(MOTOR) |

| | |
|-------------------------------------|---------------|
| IP 3100 SHAFT END COVER PART NUMBER | 312 5017 201N |
| IP 5100 SHAFT END COVER PART NUMBER | 313 5017 201N |

| Front Flange | Shaft Rotation | OUTBOARD SHAFT BEARING | OPTIONAL 1/4 DRAIN |
|--------------|----------------|------------------------|--------------------|
| 105 | CW | WITHOUT | NONE(PUMP) |
| 205 | CCW | WITHOUT | NONE(PUMP) |
| 305 | DOUBLE | WITHOUT | NONE(PUMP) |
| 405 | CW | WITH | NONE(PUMP) |
| 505 | CCW | WITH | NONE(PUMP) |
| 605 | DOUBLE | WITH | NONE(PUMP) |
| 805 | DOUBLE | WITH | 1/4 NPT(MOTOR) |
| 905 | DOUBLE | WITHOUT | 1/4 NPT(MOTOR) |

| | |
|-------------------------------------|---------------|
| IP 3100 SHAFT END COVER PART NUMBER | 312 5047 201N |
|-------------------------------------|---------------|

| Front Flange | Shaft Rotation | OUTBOARD SHAFT BEARING | OPTIONAL 1/4 DRAIN |
|--------------|----------------|------------------------|--------------------|
| 142 | CW | WITHOUT | NONE(PUMP) |
| 242 | CCW | WITHOUT | NONE(PUMP) |
| 342 | DOUBLE | WITHOUT | NONE(PUMP) |
| 442 | CW | WITH | NONE(PUMP) |
| 542 | CCW | WITH | NONE(PUMP) |
| 642 | DOUBLE | WITH | NONE(PUMP) |
| 842 | DOUBLE | WITH | 1/4 NPT(MOTOR) |
| 942 | DOUBLE | WITHOUT | 1/4 NPT(MOTOR) |

| | |
|-------------------------------------|---------------|
| IP 3100 SHAFT END COVER PART NUMBER | 312 5037 201N |
| IP 5100 SHAFT END COVER PART NUMBER | 313 5037 201N |

| Front Flange | Shaft Rotation | OUTBOARD SHAFT BEARING | OPTIONAL 1/4 DRAIN |
|--------------|----------------|------------------------|--------------------|
| 194 | CW | WITHOUT | NONE(PUMP) |
| 294 | CCW | WITHOUT | NONE(PUMP) |
| 394 | DOUBLE | WITHOUT | NONE(PUMP) |
| 494 | CW | WITH | NONE(PUMP) |
| 594 | CCW | WITH | NONE(PUMP) |
| 694 | DOUBLE | WITH | NONE(PUMP) |
| 894 | DOUBLE | WITH | 1/4 NPT(MOTOR) |
| 994 | DOUBLE | WITHOUT | 1/4 NPT(MOTOR) |

| | |
|-------------------------------------|---------------|
| IP 3100 SHAFT END COVER PART NUMBER | 312 5027 204N |
|-------------------------------------|---------------|

| Front Flange | Shaft Rotation | OUTBOARD SHAFT BEARING | OPTIONAL 1/4 DRAIN |
|--------------|----------------|------------------------|--------------------|
| 197 | CW | WITHOUT | NONE(PUMP) |
| 297 | CCW | WITHOUT | NONE(PUMP) |
| 397 | DOUBLE | WITHOUT | NONE(PUMP) |
| 497 | CW | WITH | NONE(PUMP) |
| 597 | CCW | WITH | NONE(PUMP) |
| 697 | DOUBLE | WITH | NONE(PUMP) |
| 897 | DOUBLE | WITH | 1/4 NPT(MOTOR) |
| 997 | DOUBLE | WITHOUT | 1/4 NPT(MOTOR) |

| | |
|-------------------------------------|---------------|
| IP 3100 SHAFT END COVER PART NUMBER | 312 5027 201N |
| IP 5100 SHAFT END COVER PART NUMBER | 313 5027 201N |