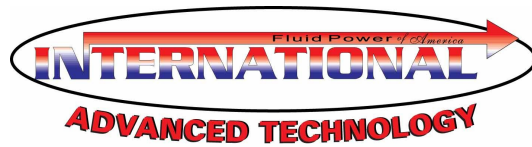
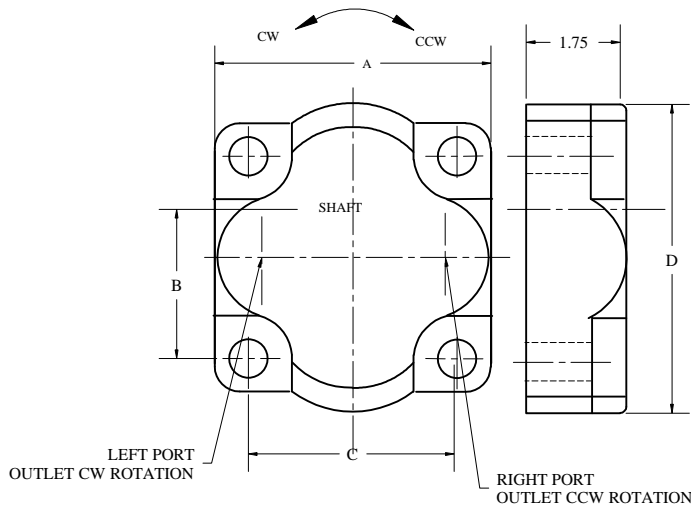


IFP IP3100/IP5100/IP7600 PORT END COVERS



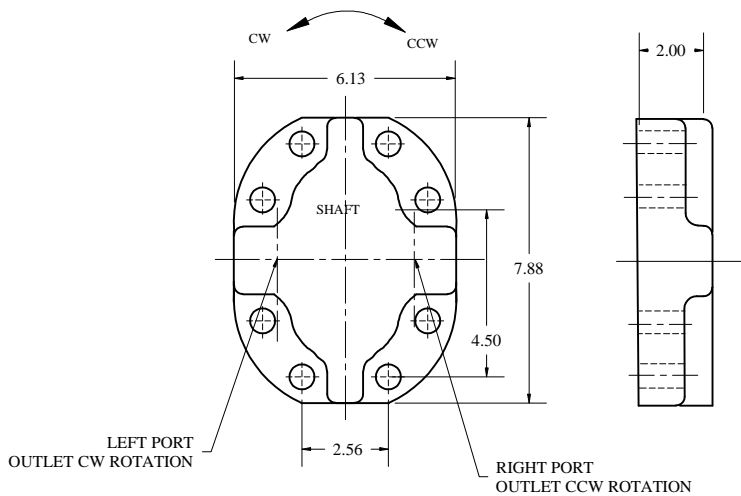
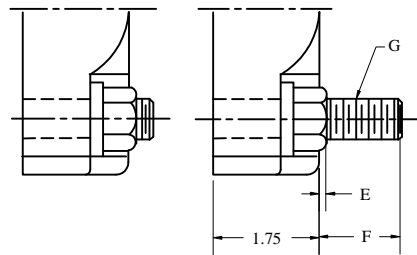
PORT END COVER IP3100 PART NUMBER 312-3120-100N IP5100 PART NUMBER 313-3120-100N



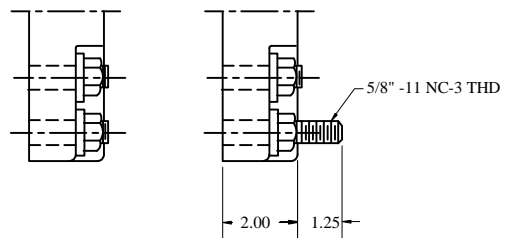
MODEL	A	B	C	D	E	F	G
IP3100	4.81	2.66	3.56	5.38	.12	1.38	5/8"-11NC-3THD
IP5100	4.94	2.78	3.56	6.00	.12	1.50	5/8"-11NC-3THD

WITHOUT EXTENDED STUDS

WITH EXTENDED STUDS



PORT END COVER IP7600 PART NUMBER 316-3120-100N



PORT END COVER PORTING CODES

(REAR PORTED UNITS)

LEFT COVER ROTATION	RIGHT COVER PORTING	SINGLE UNIT CODE	TANDEM UNIT CODE	TANDEM UNIT CODE C/W EXT. STUDS
BLANK	BLANK	BE	BI	BY
NPT THREADED PORTING				
3/4" NPT	BLANK	KE	KI	KY
BLANK	3/4" NPT	LE	LI	LY
3/4" NPT	3/4" NPT	ME	MI	MY
1 NPT	1 NPT			
SAE O.D.T. THREADED PORTING				
3/4" ODT	BLANK	CE	CI	CY
BLANK	3/4" ODT	DE	DI	DY
3/4" ODT	3/4" ODT	FE	FI	FY
1" ODT	1" ODT	JE	JI	JY