

IFP MD50 Design "73" Manually Operated Monoblock Valves



FEATURES

- * Adjustable Balanced Piston Relief Valve
- * Power Beyond / Closed Center Available
- * Integral Load Holding Check Valve
- * Optional Pilot Operated Check Valves
- * Single / Double acting & Motor spools
- * Spring Return or Detent



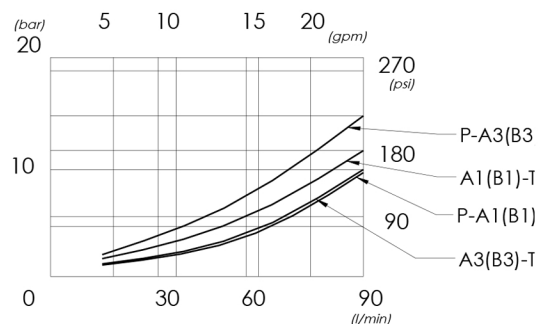
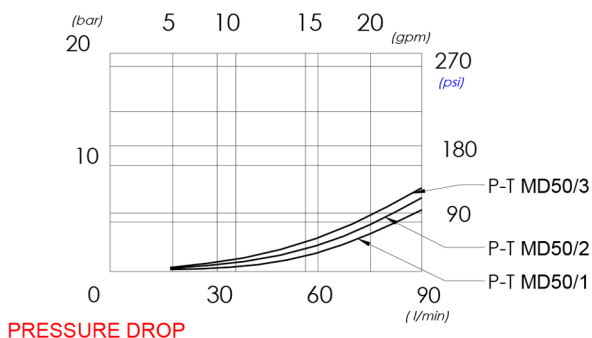
MD50 ORDERING CODE

IFP MD 50 1 C S D P 73

Monoblock Valve | **Valve Series** (50 = 30 GPM) | **Number of Spools** (1 = 1 Spool, 2 = 2 Spool, 3 = 3 Spool) | **Spool Type** (C = Double Acting, M = Motor Spool) | **Port Type** (S = SAE (Std), N = NPT *Factory Lead Time, B = BSP *Factory Lead Time) | **Spool Function** (No Code = Spring Return, D = Detent) | **Tank Port** (No Code = Open Center, C = Closed Center, P = Power Beyond) | **Design Number** (73)

| Model | MD50 |
|----------------------------|---|
| Maximum Flow | 30 US gpm (95 l/min) |
| Recommended flow | 18 US gpm (70 l/min) |
| Maximum Pressure | 5000 PSI (350 bar) |
| Maximum Back Pressure | 1160 PSI (80 bar) |
| Leakage @1500 PSI (100bar) | 0.125 in ³ /min (1 cm ³ /min) |
| Weight MD50 -1 | 12.1 lbs (5.5 kg) |
| Weight MD50 -2 | 18.7 lbs (8.5 kg) |
| Weight MD50 -3 | 25.4 lbs (11.5 kg) |

| Valve Ports | | | |
|-------------|--------------|----------|---------|
| Thread | Port - A & B | Pressure | Tank |
| SAE | SAE-10 | SAE- 12 | SAE- 12 |
| NPT | 1/2" | 3/4" | 3/4" |
| BSP | 1/2" | 3/4" | 3/4" |



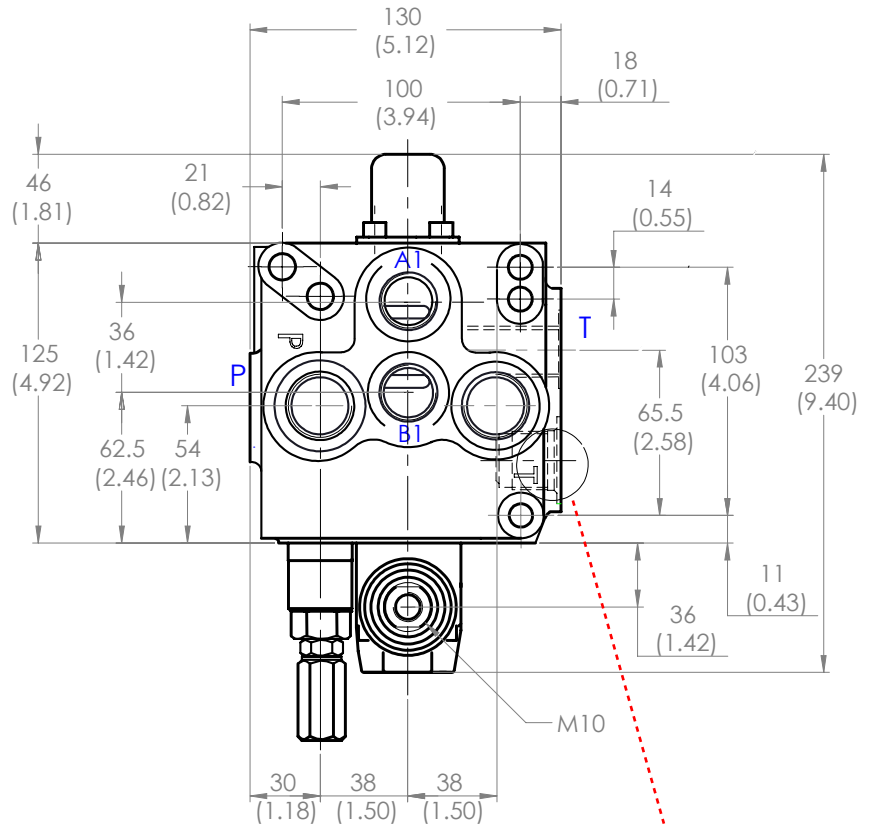
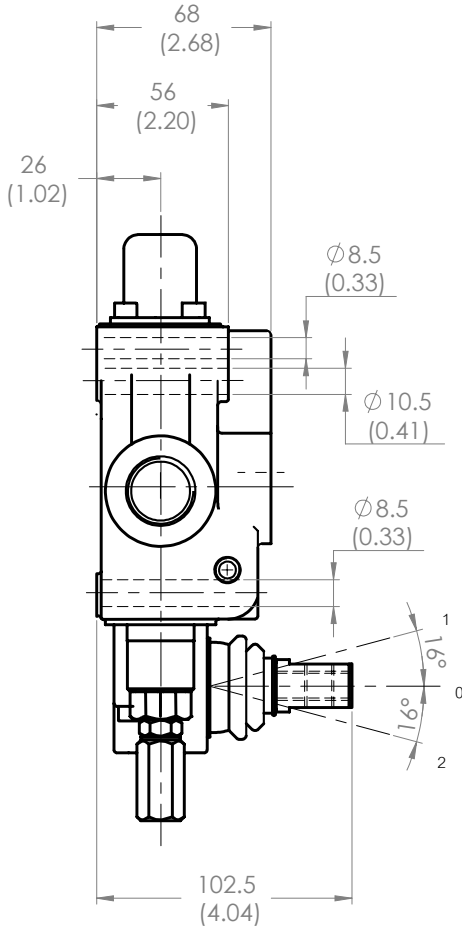
IFP MD50-Design "73" Manually Operated Monoblock Valve " Single Spool"



Dimension: mm (inches)

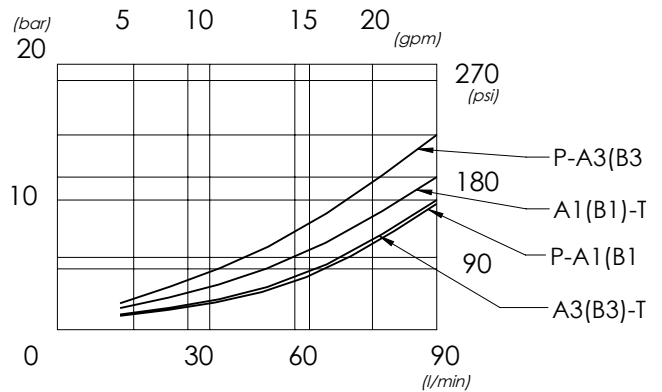
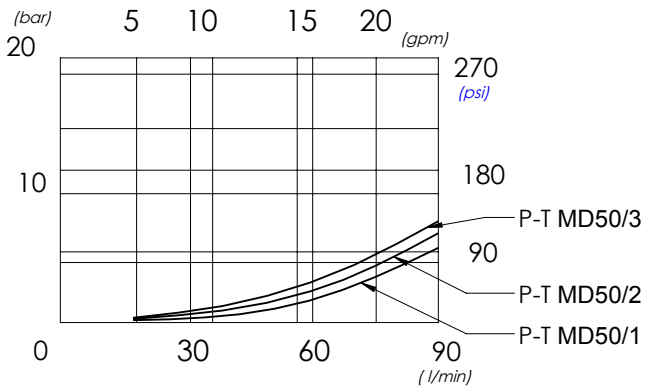
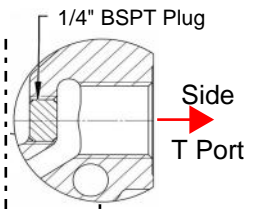
backpressure 80 bar (1160 PSI)

| Thread | Port A-B | Port P-C | Port T |
|--------|----------|----------|--------|
| BSP | 1/2" | 1/2" | 3/4" |
| | 3/4" | 3/4" | 3/4" |
| SAE | SAE10 | SAE12 | SAE12 |



Weight: 12.1 lbs (5.5 kg)

Power Beyond Conversion:
 Insert 3/8 plug / Use side tank port as power beyond
closed center Conversion:
 Insert 3/8 plug / Plug Side tank port

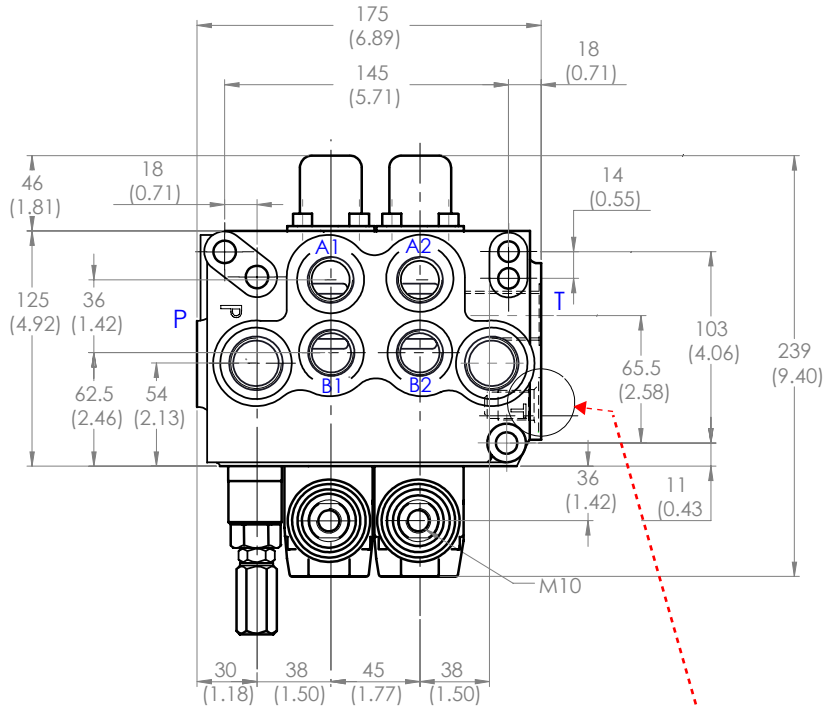
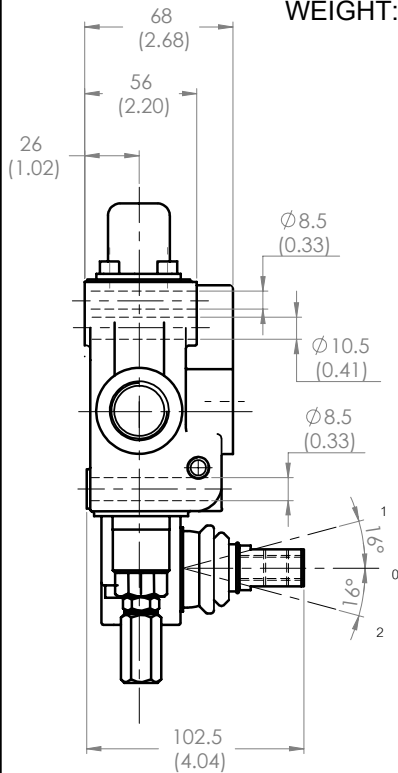


PRESSURE DROP

MD50- Design "73" Double / Triple spool Manually operated monoblock valves



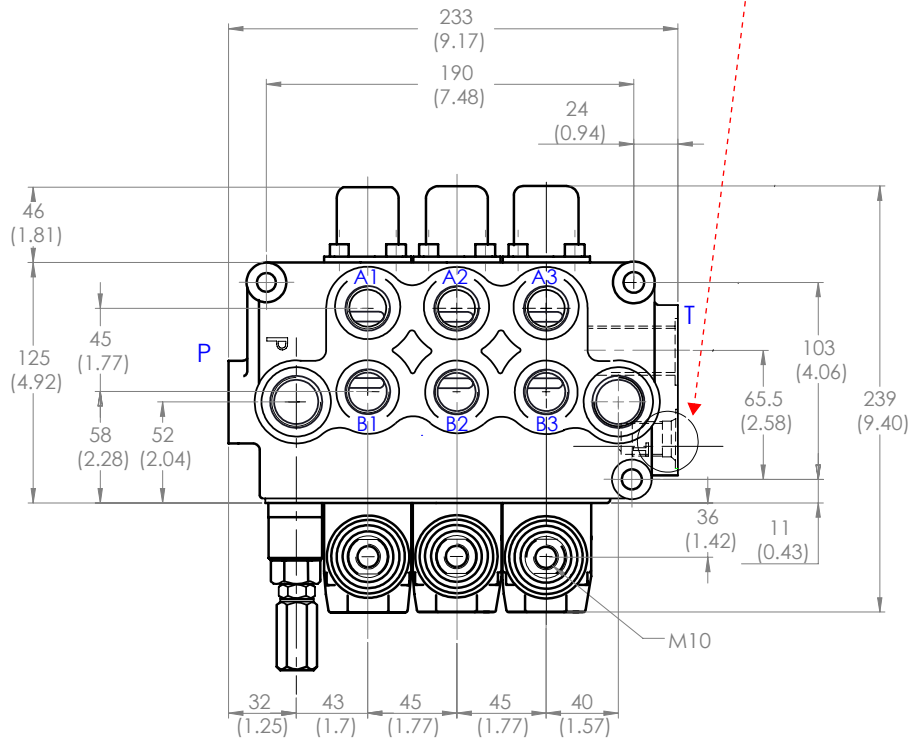
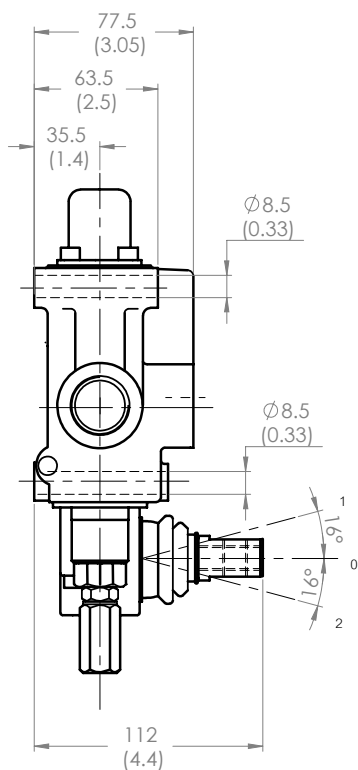
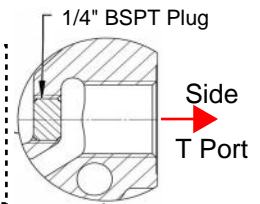
MD50-2 DOUBLE SPOOL
WEIGHT: 18.7 lbs (8.5 kg)



MD50-3 TRIPLE SPOOL
WEIGHT: 25.4 lbs (11.5 kg)

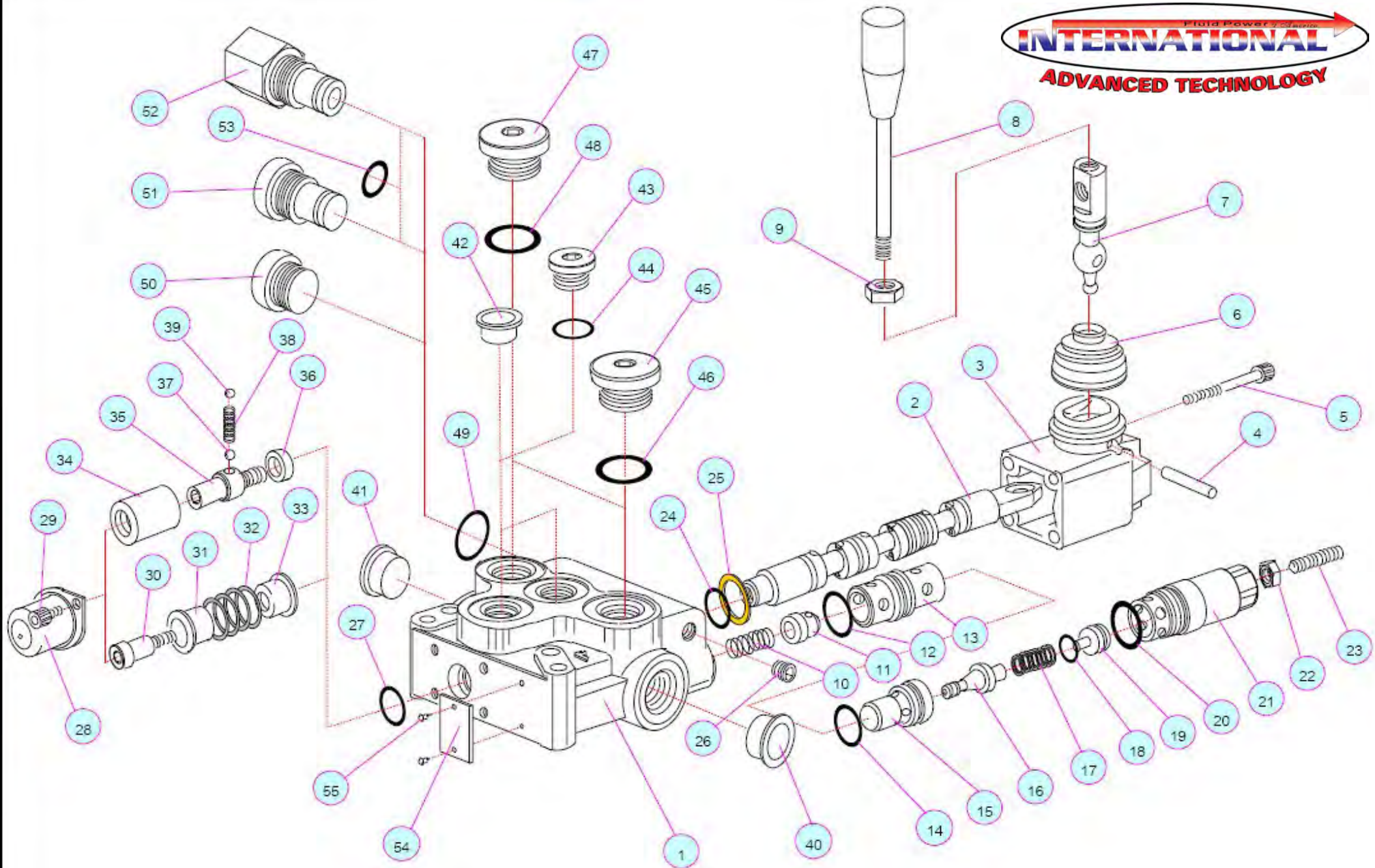
Power Beyond Conversion:
Insert 3/8 plug / use Side tank port as power beyond

Closed Center Conversion:
Insert 3/8 plug / Plug Side tank port



PARTS DRAWING: IFP MD50-1 / 1-SECTION MONOBLOCK VALVE

Date: OCTOBER 14-2008



PARTS DRAWING: IFP MD50-2 2 SECTION MONOBLOCK VALVE

Date: OCTOBER 14-2008

