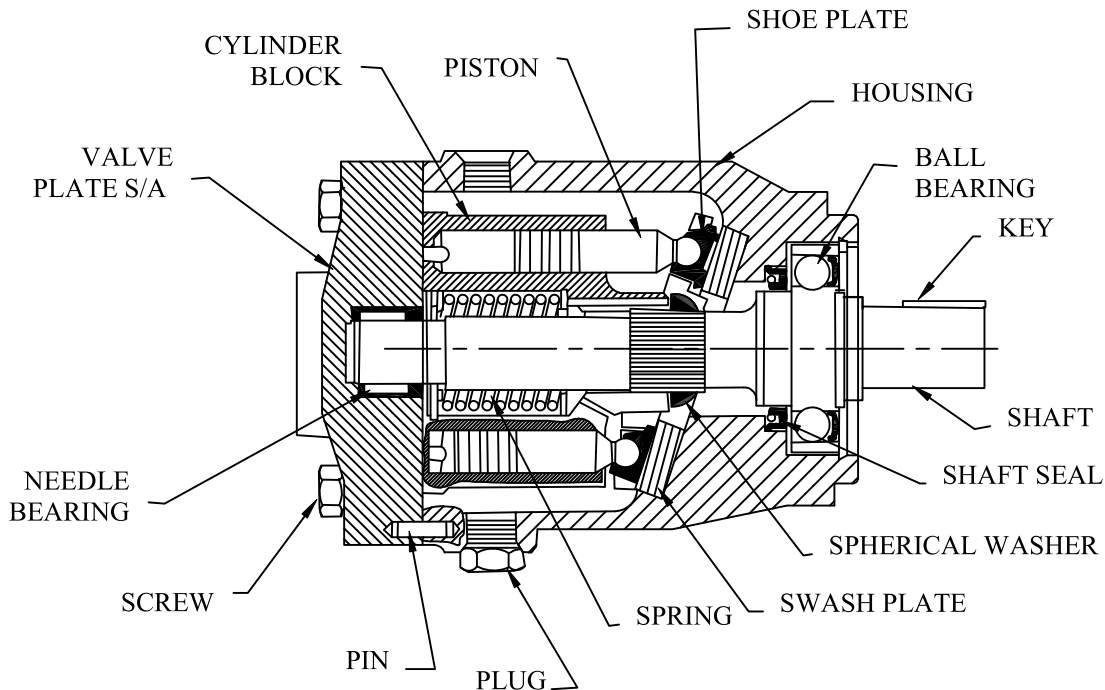


IFP MFB20 PISTON MOTOR



Service Parts Information



PART#	DESCRIPTION	PART#	DESCRIPTION	PART#	DESCRIPTION
938281	ROT GROUP MFB20	1316	SCREW(4 REQ'D)	154129	* "O" RING
194025	△ RETAINING RING	938383	VALVE PLATE	295262	* SHAFT SEAL
244931	△ LIFT LIM. WASHER	3913	PIN(2 REQ'D)	427139	VITON SHAFT SEAL
246387	△ SPRING	251108	NEEDLE BEARING	194878	SEAL RETAINER
238780	△ THRUST WASHER	238487	* GASKET	266189	KEYED SHAFT
284197	△ CYL. BLK. (MFB20)	186580	PLUG	285408	SPLINE SHAFT
248835	△ PIN	941884	△ PISTON S/A KIT(9)	283090	BEARING
938392	△ SPHERICAL WASHER	239335	△ SWASH PLATE	117507	RETAINING RING
248609	△ SHOE PLATE	252114	HOUSING	117506	RETAINING RING

△ INCLUDE - ROTATION GROUP * INCLUDE - SEAL KIT (919242)
 SCREW (4 REQ.) 25-35 lb.ft.

WARNING:

Before starting fill motor case with system fluid through uppermost drain port. Housing must be kept full at all times to provide internal lubrication.