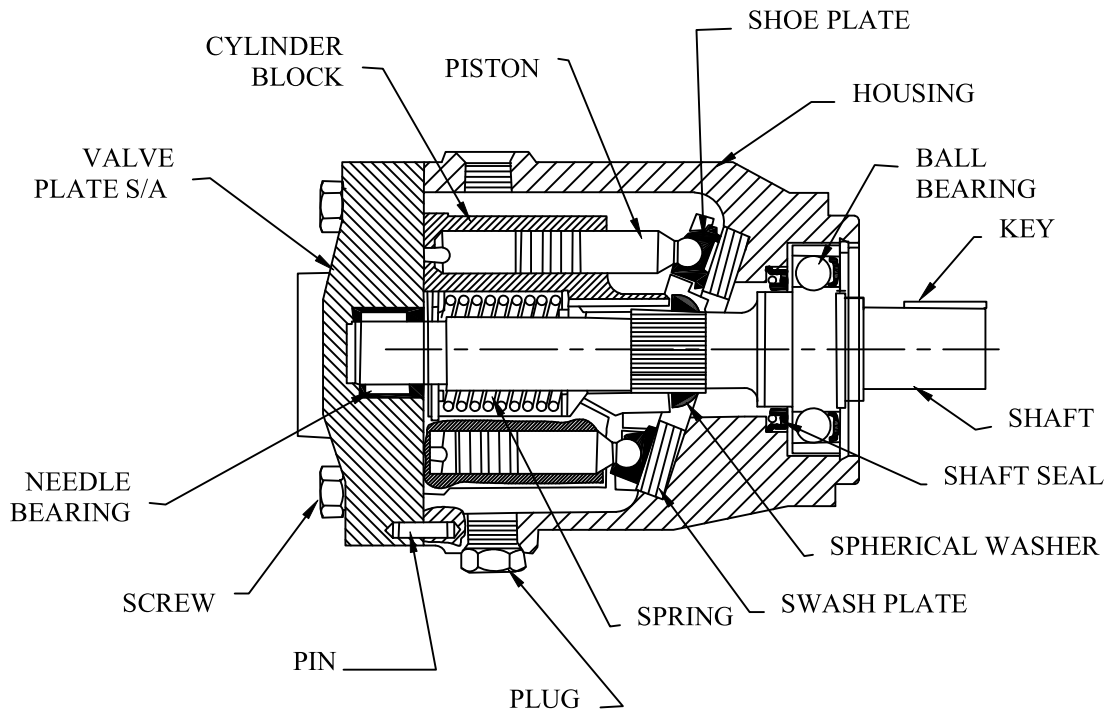


IFP MFB29 PISTON MOTOR



Service Parts Information



PART#	DESCRIPTION	PART#	DESCRIPTION	PART#	DESCRIPTION
938295	ROT GROUP MFB29	1316	SCREW(4 REQ'D)	154129 *	"O" RING
194025 Δ	RETAINING RING	941952	VAL. PLT. MFB29	295262 *	SHAFT SEAL
244931 Δ	LIFT LIM. WASHER	3913	PIN(2 REQ'D)	427139	VITON SHAFT SEAL
246387 Δ	SPRING	251108	NEEDLE BEARING	194878	SEAL RETAINER
238780 Δ	THRUST WASHER	238487 *	GASKET	266189	KEYED SHAFT
287454 Δ	CYLINDER BLOCK	186580	PLUG	285408	SPLINE SHAFT
248835 Δ	PIN	941885 Δ	PISTON S/A MFB29	283090	BEARING
938392 Δ	WASHER S/A	239335 Δ	SWASH PLATE	117507	RETAINING RING
248609 Δ	SHOE PLATE	252114	HOUSING	117506	RETAINING RING

Δ INCLUDE - ROTATION GROUP * INCLUDE - SEAL KIT (919242)
 SCREW (4 REQ.) 25-35 lb.ft.

WARNING:

Before starting fill motor case with system fluid through uppermost drain port. Housing must be kept full at all times to provide internal lubrication.