

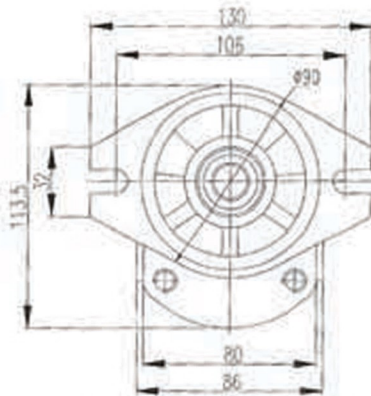
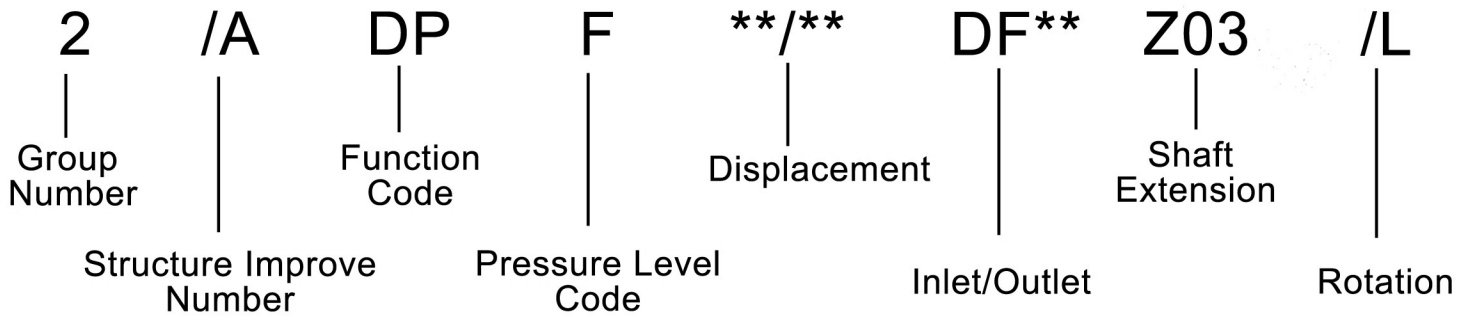


DAP PUMP

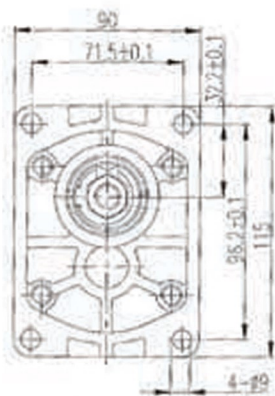
*Serving the Fluid Power Industry
for over 40 Years*



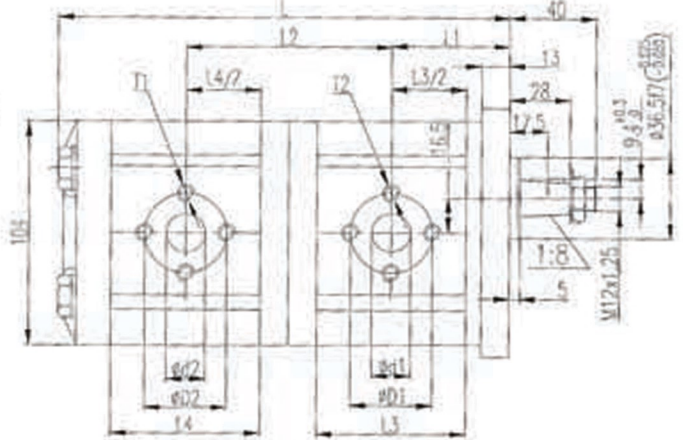
Model Code Breakdown:



P02;S02;S03;S04 shaft



Z03 shaft



Model	Displacement	Pressure Rated	Max MPa	Speed Rated	Max	R/Min min	L1 (mm)	Inlet (mm)			Outlet (mm)			
2DPF4/**DF01****	4/**	20	25	2000	3000	500	46							
2DPF6/**DF01****	6/**	20	25	2000	3000	500	47	30	14	M6				
2DPF8/**DF01****	8/**	20	25	2000	3000	500	49							
2DPF10/**DF02****	10/**	20	25	2000	3000	500	50							
2DPF12/**DF02****	12/**	20	25	2000	3000	500	52							
2DPF14/**DF02****	14/**	20	25	2000	3000	500	53				30	14	M6	
2DPF16/**DF02****	16/**	20	25	2000	3000	500	55							
2DPF18/**DF02****	18/**	16	20	2000	3000	500	57	40	20	M8				
2DPF20/**DF02****	20/**	16	20	2000	3000	500	58							
2DPF23/**DF02****	23/**	16	20	2000	3000	500	60							
2DPF25/**DF02****	25/**	16	20	2000	3000	500	62							