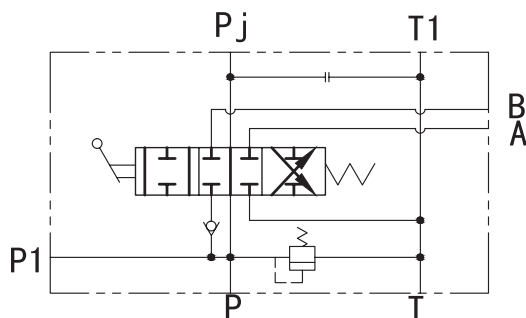
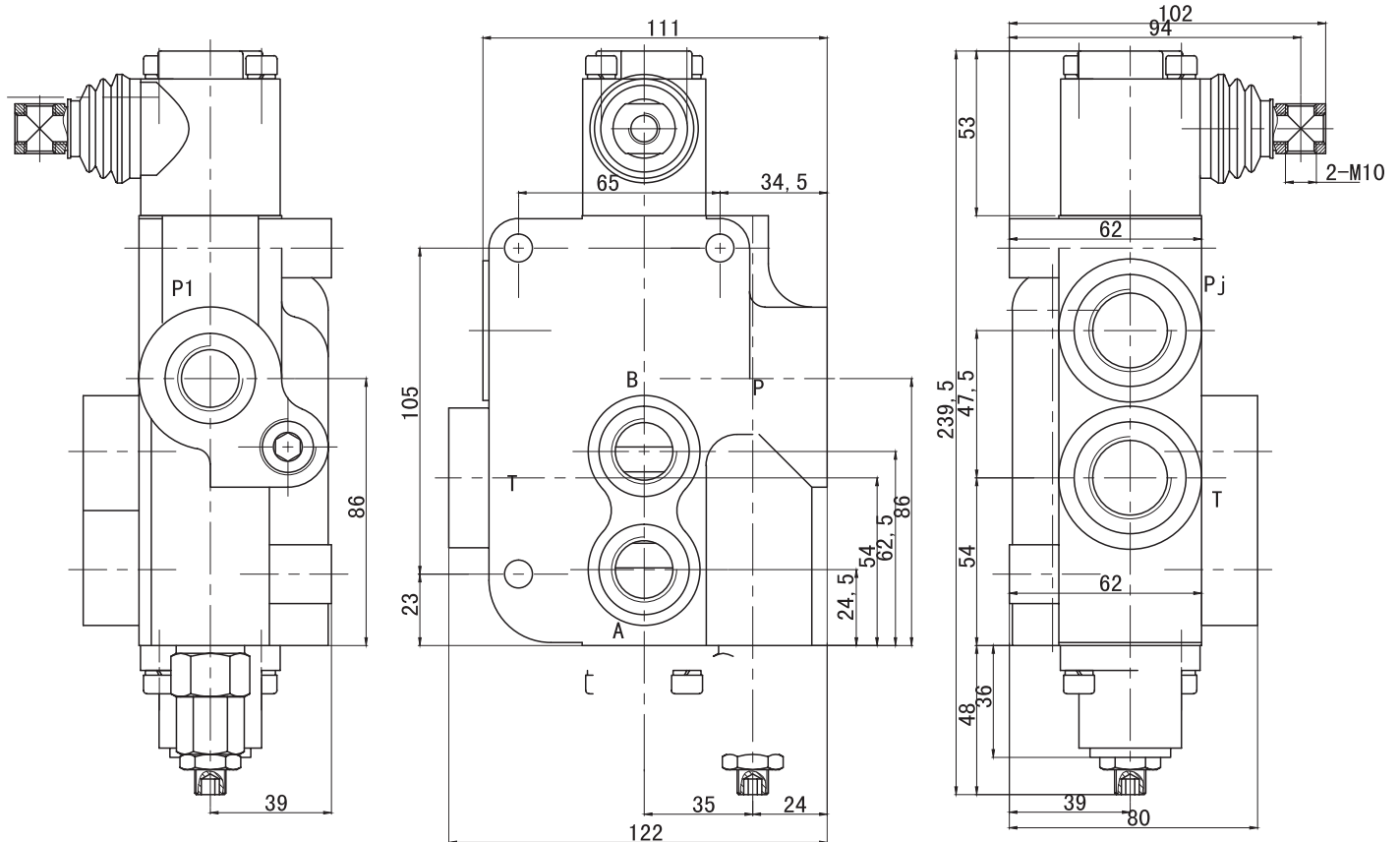


# IFP MD50 SINGLE SPOOL DIMENSIONAL DRAWING



## Monoblock Directional Control Valve

Dimensions: mm



**New 80 Design**

Note: Special features not listed can often be made to your specifications. Please consult your sales representative