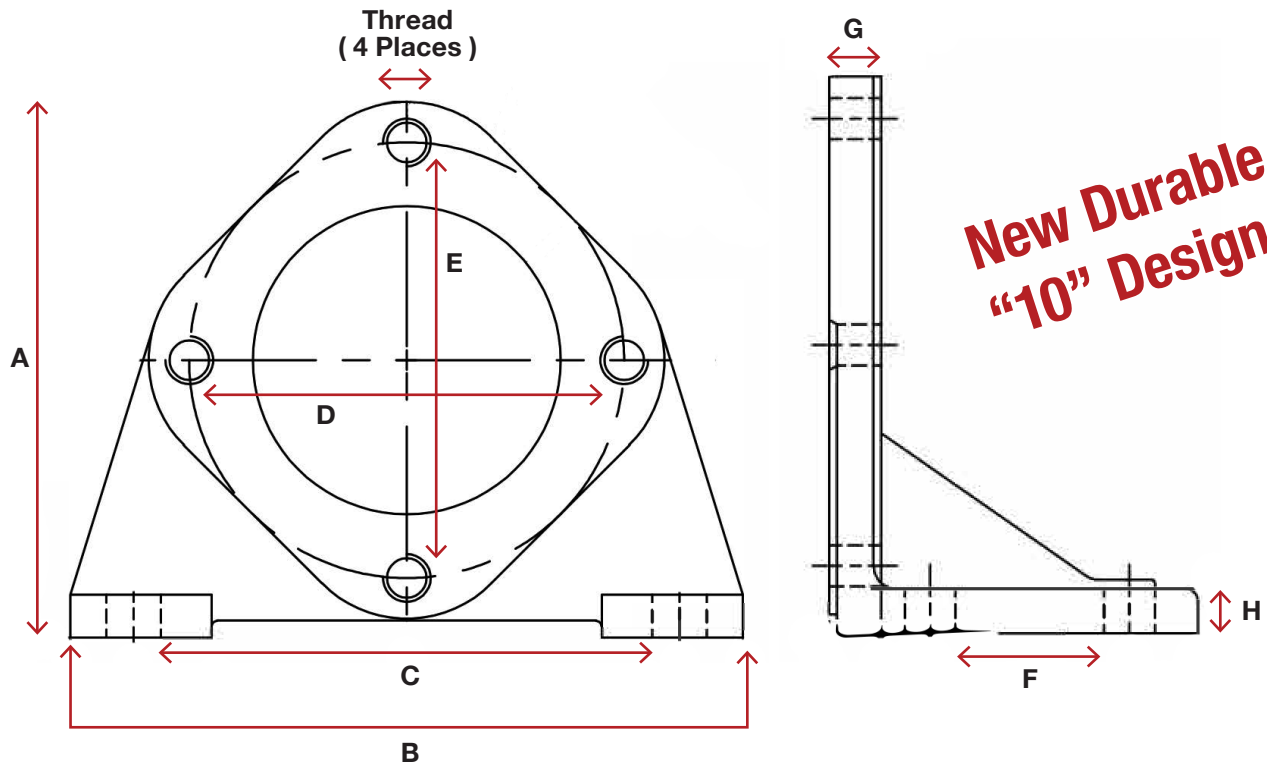


IFD Foot Bracket Kit



MODEL CODE

IFD-* -10

IFP Foot Bracket

- A*- SAE "A" 2-Bolt 3.5"
- B*- SAE "B" 2-Bolt 4"
- C*- SAE "C" 2-Bolt 5"

Model Number	Dimension mm (inch)								Bolt Thread (inch)
	A	B	C	D	E	F	G	H	
IFD-A-10	145.5	180	133.35	98.43	98.43	50	17	15	3/8 - 16 (.38)
	(5.73)	(7.09)	(5.25)	(3.875)	(3.875)	(1.97)	(0.67)	(0.59)	
IFD-B-10	187.33	230	177.8	139.7	139.7	60	21.5	15	1/2 - 13 (.50)
	(7.375)	(9.06)	(7)	(5.5)	(5.5)	(2.36)	(0.85)	(0.59)	
IFD-C-10	215.9	274	222.25	168.28	168.28	76	23	23	5/8 - 11 (.62)
	(8.5)	(10.79)	(8.75)	(6.625)	(6.625)	(2.99)	(0.91)	(0.91)	

**New "10" Design
Durable
Pump Mounting Bracket**

