

# IFP MD50-Design "80" Manually Operated Monoblock Valves



## FEATURES

- \* Adjustable Balanced Piston Relief Valve
- \* Power Beyond / Closed Center Available
- \* Integral Load Holding Check Valve
- \* Optional Pilot Operated Check Valves
- \* Single / Double acting & Motor spools
- \* Spring Return or Detent

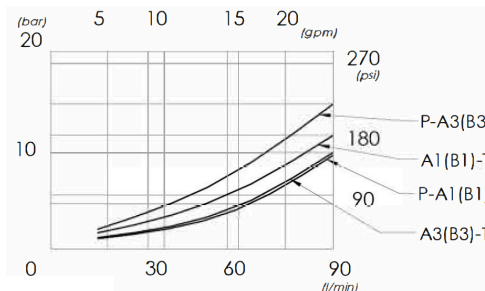
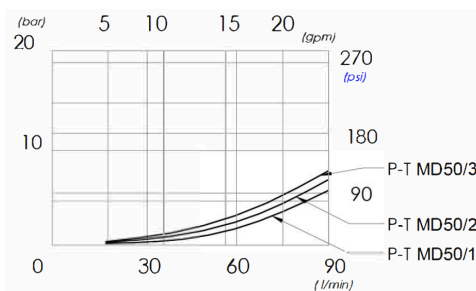


## MD50 ORDERING CODE

<b>IFP MD 50</b>	<b>1</b>	<b>C</b>	<b>S</b>	<b>D</b>	<b>P</b>	<b>80</b>	
Monoblock Valve	Valve Series 50 = 30 GPM	Number of Spools 1 = 1 Spool 2 = 2 Spools 3 = 3 Spools	Spool Type C = Double Acting M = Motor Spool	Port Type S = SAE (Std) N = NPT *Factory Lead Time B = BSP *Factory Lead Time	Spool Function No Code = Spring Return D = Deterent	Tank Port No Code = Open Center C = Closed Power P = Power Beyond	Design Number

Monoblock	MD50
Maximum Flow	30 US gpm (113 l/min)
Recommended Flow	22 US gpm (83 l/min)
Maximum Pressure	4568 PSI (315 bar)
Maximum Back Pressure	145 PSI (10 bar)
Leakage @ 1500 PSI (100 bar)	2 cm <sup>3</sup> /min
Weight MD50-1	11.5 lbs (5.2 kg)
Weight MD50-2	17.9 lbs (8.1 kg)
Weight MD50-3	23.6 lbs (10.7 kg)

Valve Ports			
Thread	Port - A&B	Thread	Thread
SAE	SAE-10	SAE-12	SAE-12
NPT	1/2"	3/4"	3/4"
BSP	1/2"	3/4"	3/4"



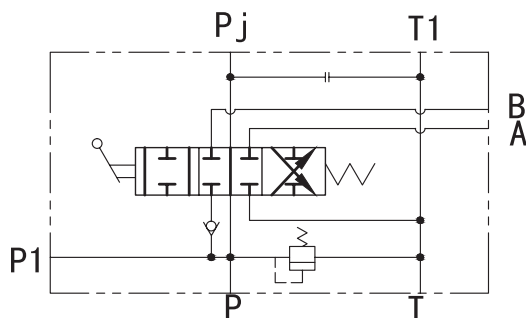
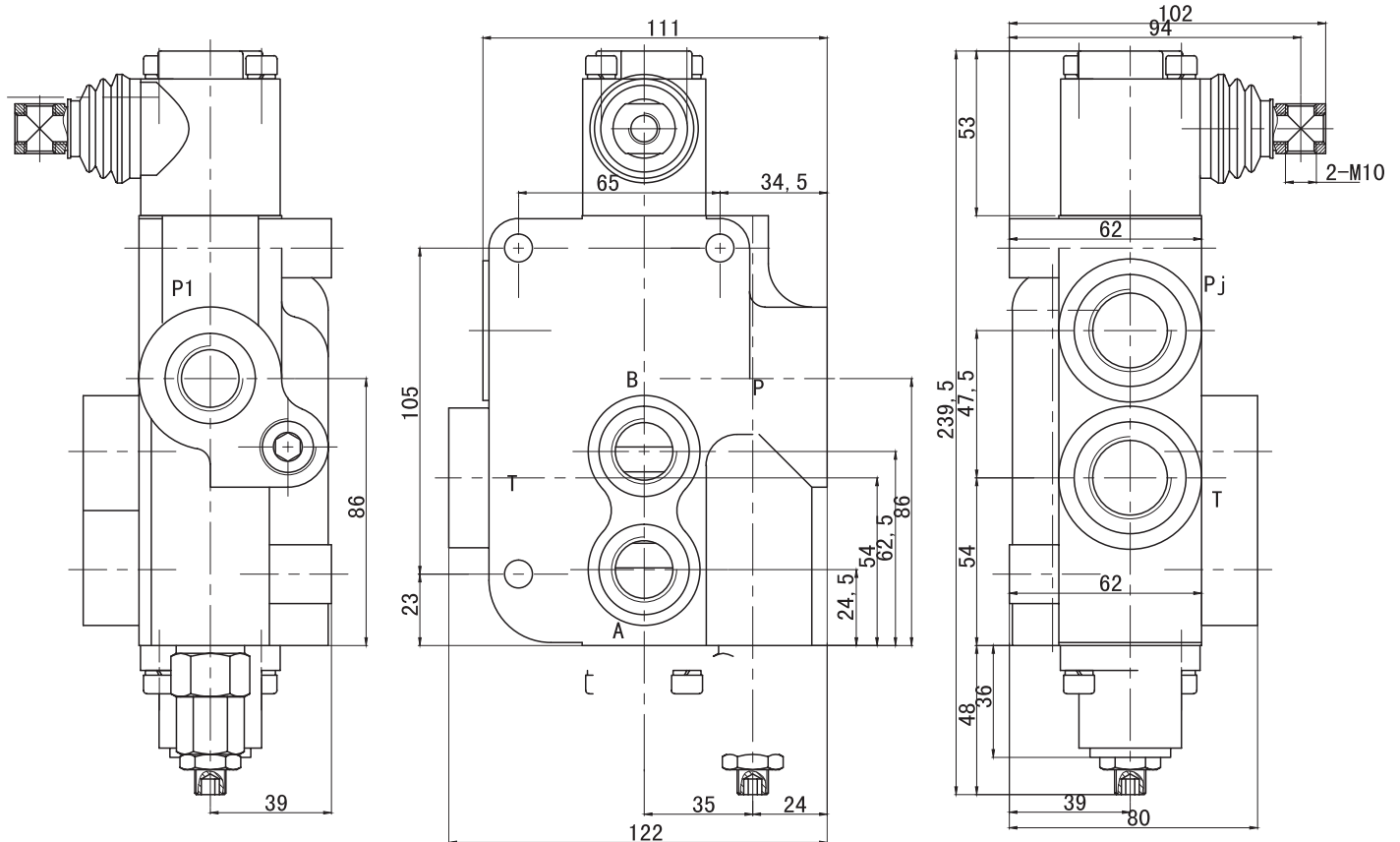
Pressure Drop

# IFP MD50 SINGLE SPOOL DIMENSIONAL DRAWING



## Monoblock Directional Control Valve

Dimensions: mm



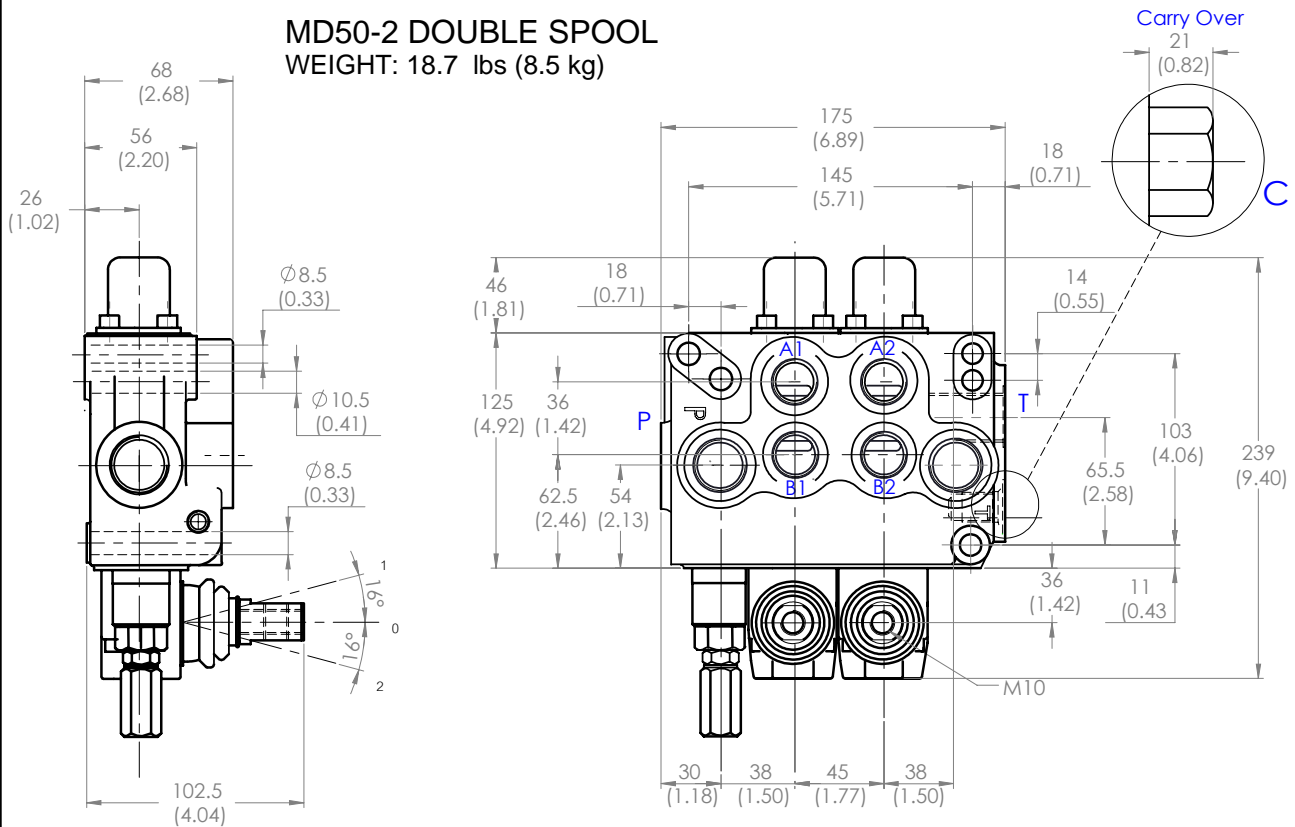
**New 80 Design**

Note: Special features not listed can often be made to your specifications. Please consult your sales representative

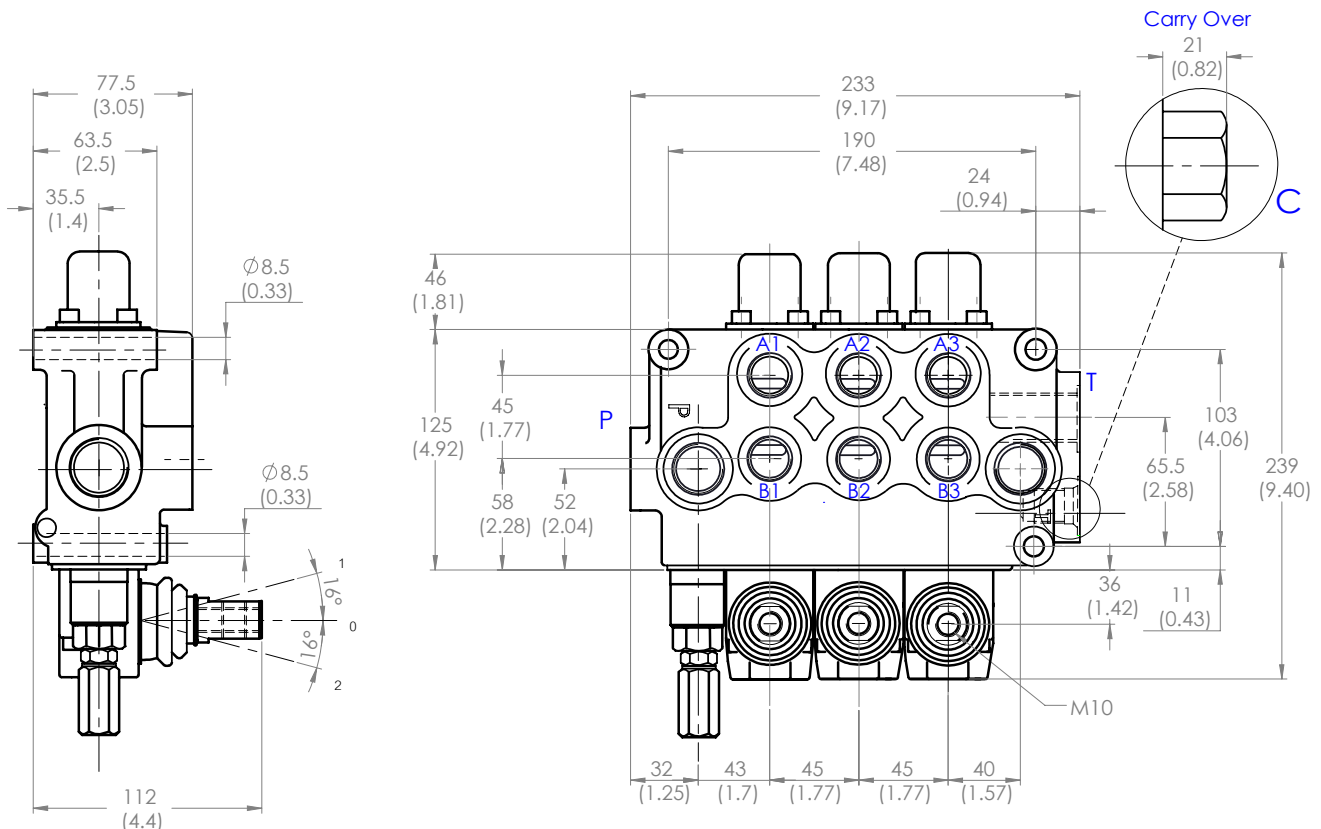
# MD50 DOUBLE / TRIPLE SPOOL DIMENSIONAL DRAWING



**MD50-2 DOUBLE SPOOL**  
WEIGHT: 18.7 lbs (8.5 kg)

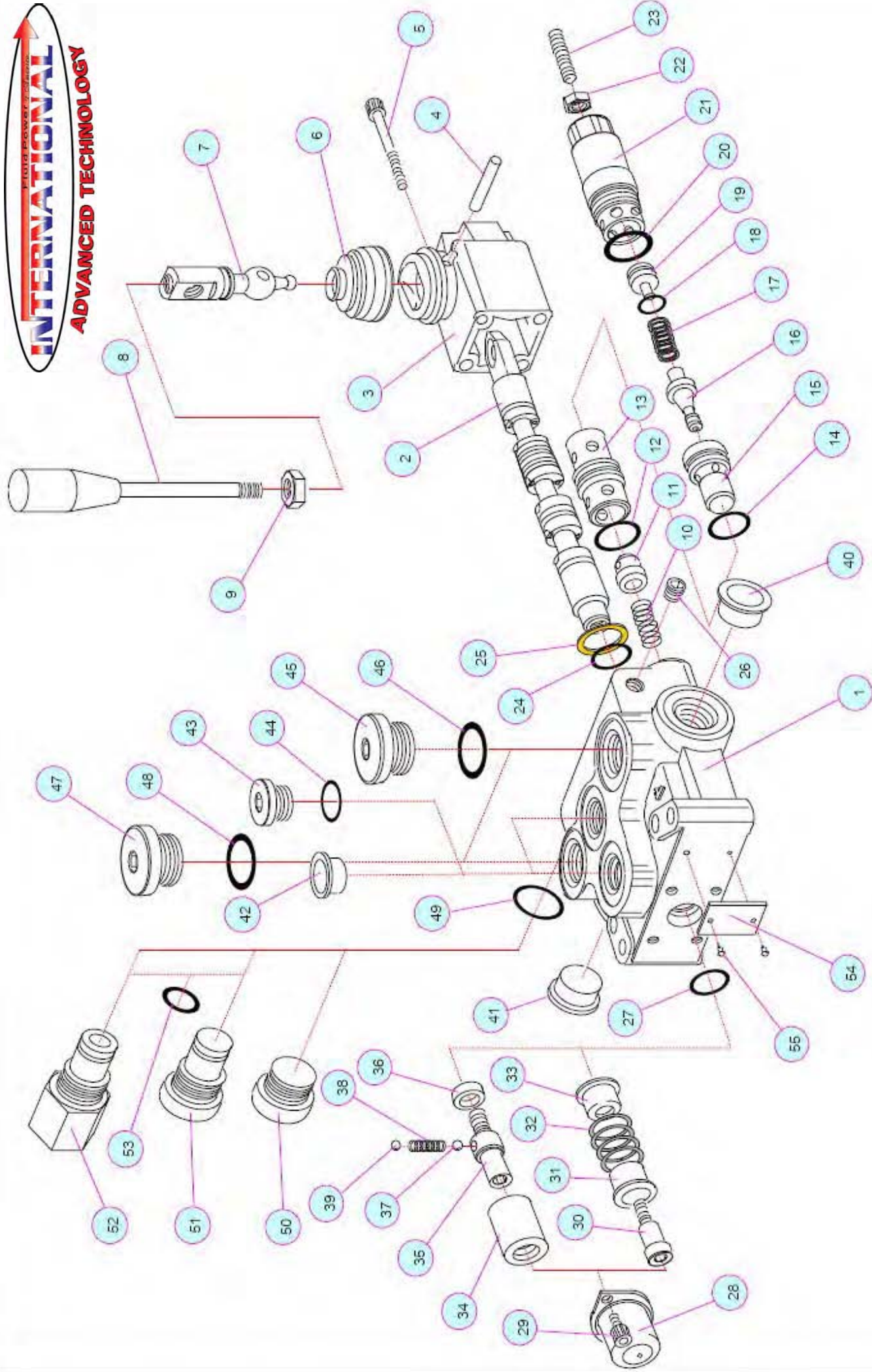


**MD50-3 TRIPLE SPOOL**  
WEIGHT: 25.4 lbs (11.5 kg)



**PARTS DRAWING: IFP MD50-1 / 1-SECTION MONOBLOCK VALVE**

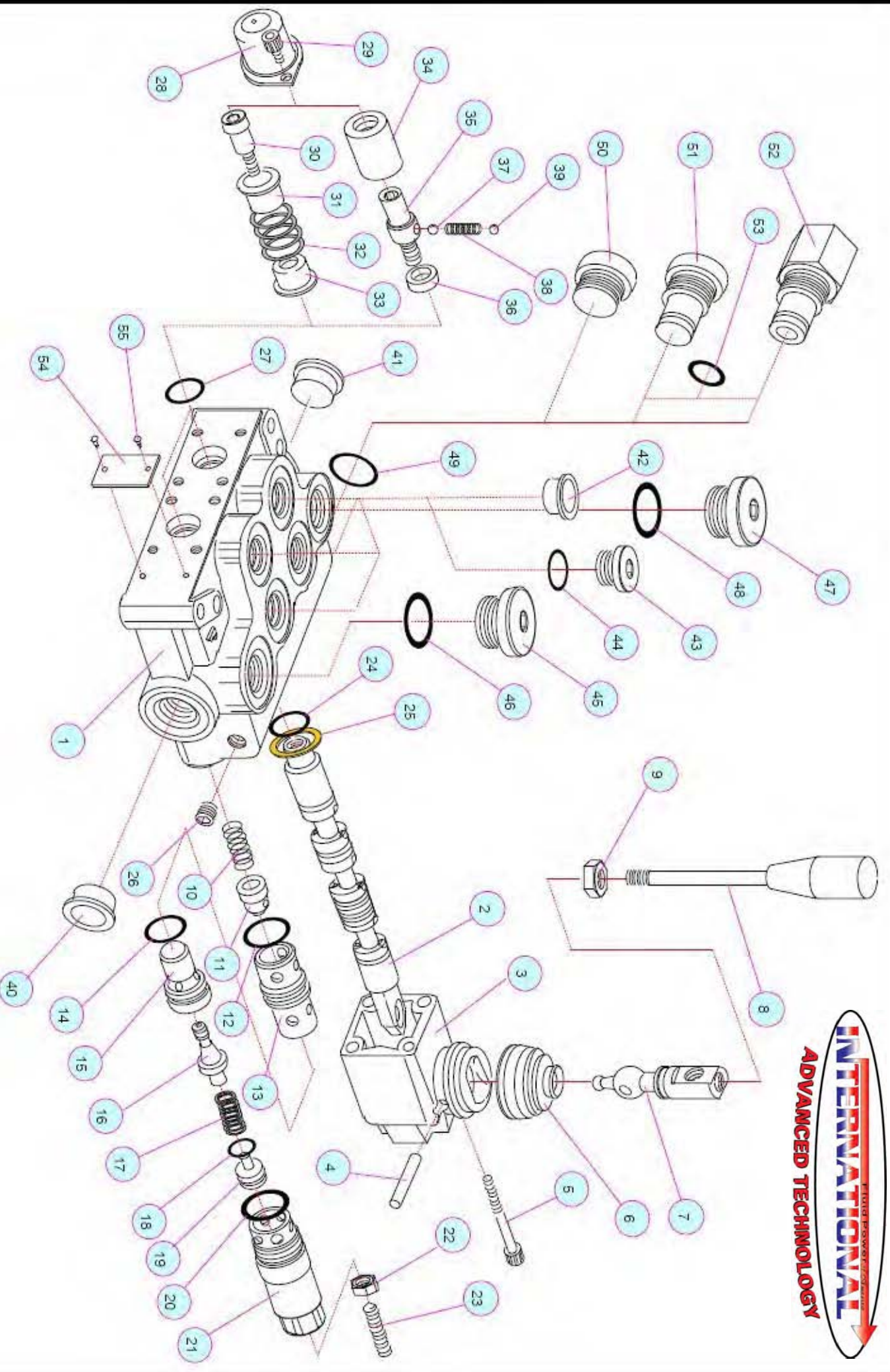
Date: OCTOBER 14-2008





PARTS DRAWING: IFP MD50-2 2 SECTION MONOBLOCK VALVE

Date: OCTOBER 14-2008



F6.11