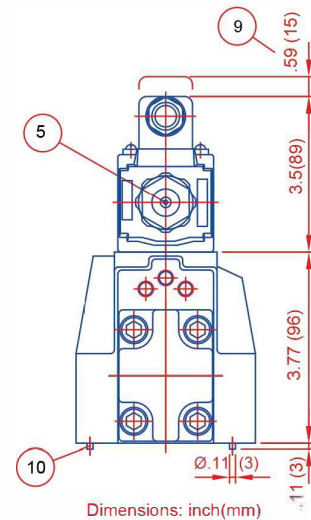
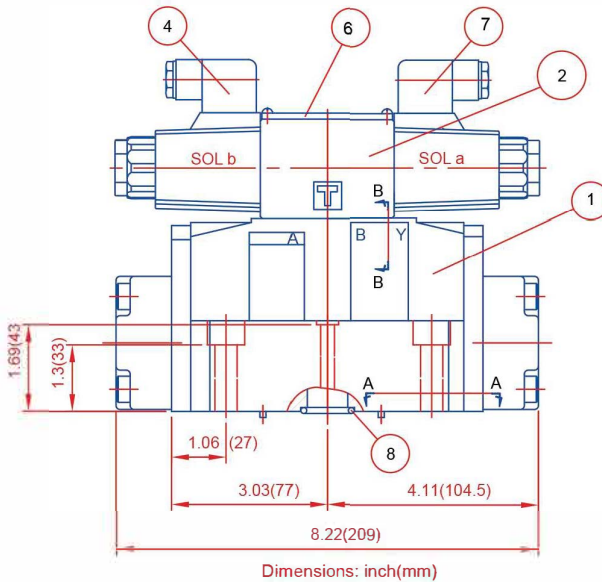
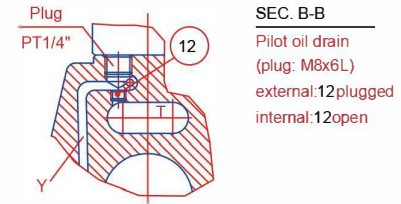
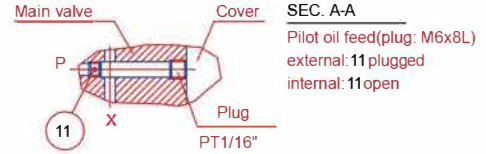
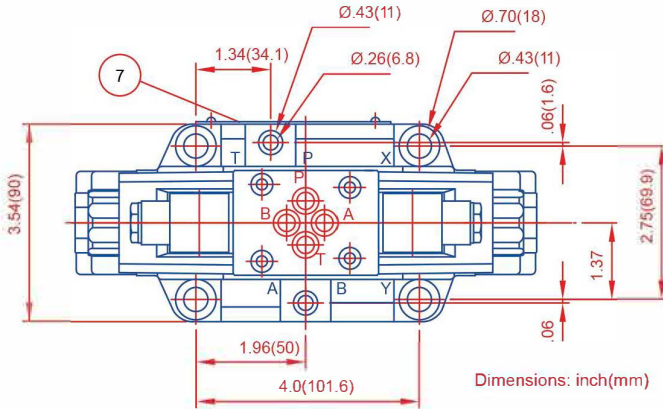


IFP DG07 SOLENOID CONTROLLED PILOT OPERATED DIRECTIONAL VALVE SIZE NG16/CETOP07

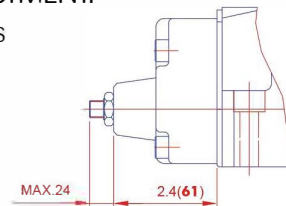
DIMENSIONS:
■ DG07-E-*C AC* 72DN



- 1: Main valve
- 2: Pilot valve
 - 2-1: Pilot valve DG03-2A-* (1 solenoid) for main valves with spools *A, *B (3 position valve with solenoid on side a)
 - 2-2: Pilot valve DG03-2AL-* (1 solenoid) for main valves with spools *AL, *BL (3 position valve with solenoid on side b)
 - 2-3: Pilot valve DG03-6C-* (2 solenoid) for main valves with 3 positions
- 3: Solenoid a, color of plug: grey
- 4: Solenoid b, color of plug: black
- 5: Push pin for manual operation
- 6: Nameplate for pilot valve
- 7: Nameplate for whole valve
- 8: O-ring:
 - Ports A,B,P,T: AS568-118 (NBR,Hs90);
 - Ports X,Y: AS568-013 (NBR,Hs90)
- 9: Space required to remove plug
- 10: Locating pin

STROKE ADJUSTMENT:

■ DG07-E-*-*-*70-S



P CHECK

■ DG07-E-*-*-*70-P

- 1.Seat
- 2.Poppet
- 3.Spring Retainer
- 4.Spring
- 5.C-retaining ring

