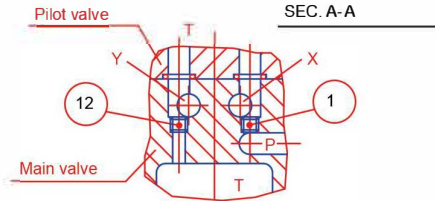
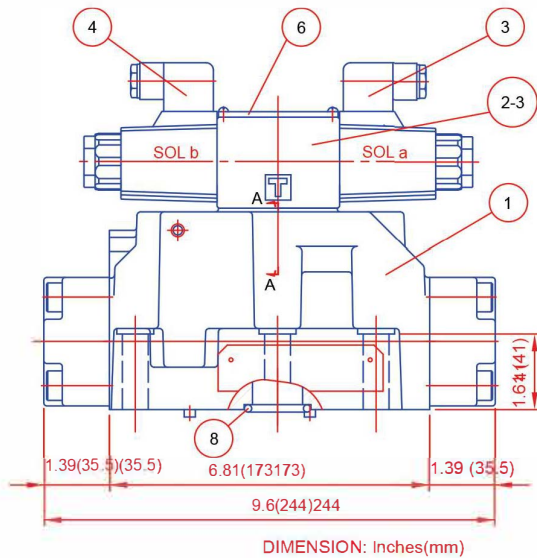
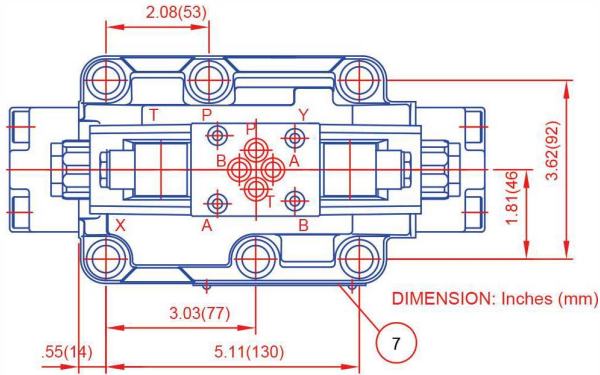


# IFP DG08 SOLENOID CONTROLLED PILOT OPERATED DIRECTIONAL VALVE SIZE NG22 /CETOP08

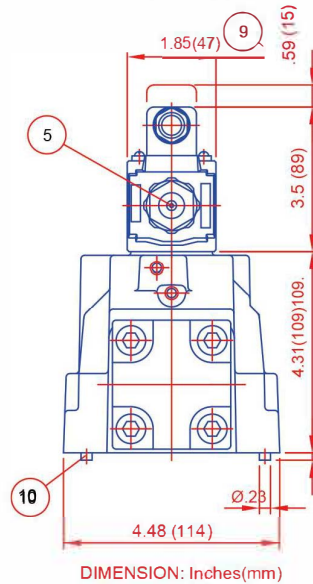
DIMENSIONS:

■ DG08-E-\*C-AC\* 72DN



Pilot oil feed (plug: M8x6L)  
external: 11 plugged  
internal: 11 open

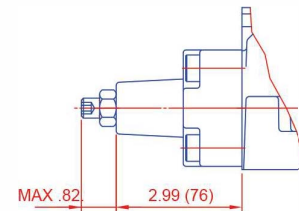
Pilot oil drain (plug: M8x6L)  
external: 12 plugged  
internal: 12 open



- 1: Main valve
- 2: Pilot valve
  - 2-1: Pilot valve DG03-2A-\* (1 solenoid) for main valves with spools \*A, \*B (3 position valve with solenoid on side a)
  - 2-2: Pilot valve DG03-2AL-\* (1 solenoid) for main valves with spools \*AL, \*BL (3 position valve with solenoid on side b)
  - 2-3: Pilot valve DG03-6C-\* (2 solenoid) for main valves with 3 positions
- 3: Solenoid a, color of plug: grey
- 4: Solenoid b, color of plug: black
- 5: Push pin for manual operation
- 6: Nameplate for pilot valve
- 7: Nameplate for whole valve
- 8: O-ring:
  - Ports A,B,P,T: AS568-215 (NBR,Hs90);
  - Ports X,Y: AS568-210 (NBR,Hs90)
- 9: Space required to remove plug
- 10: Locating pin

### STROKE ADJUSTMENT:

■ DG07-E-\*-\*-70-S



### P CHECK

■ DG08-E-\*-\*-70-P

- 1.Seat
- 2.Poppet
- 3.Spring Retainer
- 4.Spring
- 5.O-Ring
- 6.O-Ring
- 7.C-retaining ring

