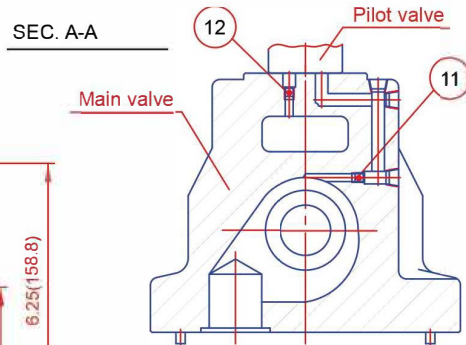
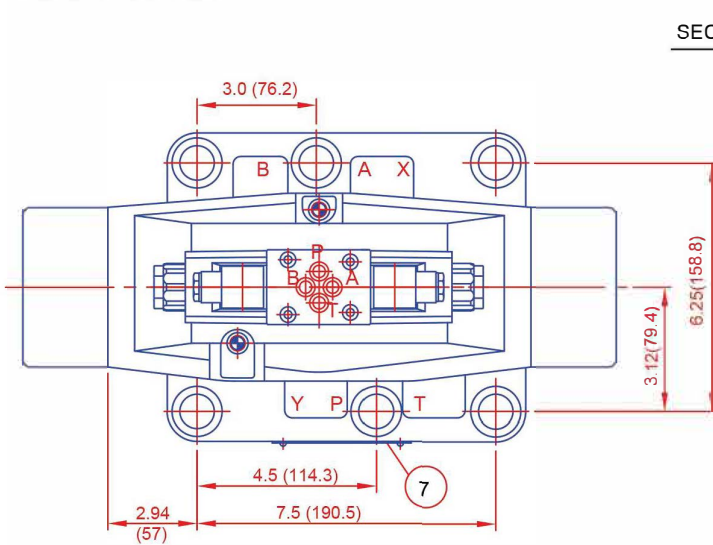


I/P DG10 SOLENOID CONTROLLED PILOT OPERATED DIRECTIONAL VALVE SIZE NG32 / CETOP10

DIMENSIONS:

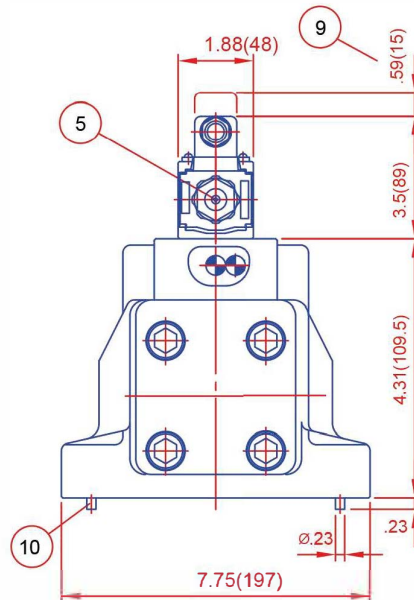
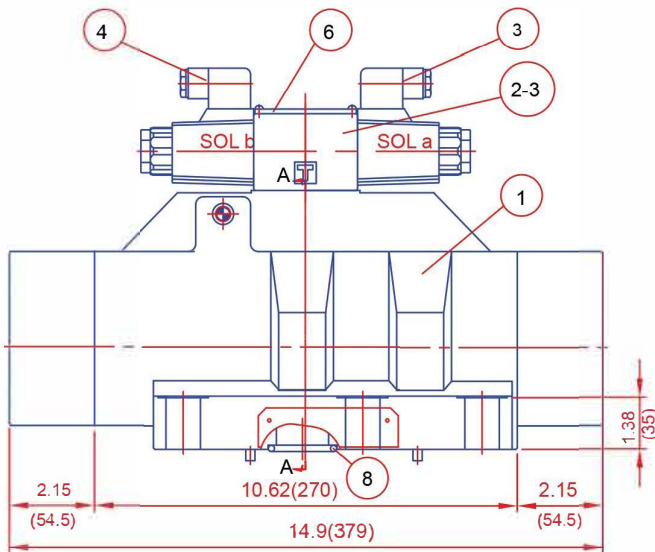
■ DG10-E-*C-A*-DN-70

DG10 SIZE 32



Pilot oil feed(plug: M6x8L)
external:11 plugged
internal:11 open

Pilot oil drain(plug: M8x6L)
external:12plugged
internal:12open



1: Main valve

2: Pilot valve

2-1: Pilot valve DG03-2A-* (1 solenoid) for main valves with spools *A, *B (3 position valve with solenoid on side a)

2-2: Pilot valve DG03-2AL-* (1 solenoid) for main valves with spools *AL, *BL (3 position valve with solenoid on side b)

2-3: Pilot valve DG03-6C-* (2 solenoid) for main valves with 3 positions

3: Solenoid a, color of plug: grey

4: Solenoid b, color of plug: black

5: Push pin for manual operation
6: Nameplate for pilot valve

7: Nameplate for whole valve

8: O-ring:

Ports A,B,P,T: 1B-P38 (NBR,Hs90);

Ports X,Y: 1B-P24 (NBR,Hs90)

9: Space required to remove plug

10: Locating pin